

# Digital Temperature Controller

# E5CC/E5CC-B/E5CC-U (48 × 48 mm)

Large White PV Display That's Easier to Read.

Easy to Use, from Model Selection to Setup and Operation.

Models with Push-In Plus Terminal Blocks Added to Lineup.

- The white PV display with a height of 15.2 mm improves visibility.
- High-speed sampling at 50 ms.
- Select from models with screw terminal blocks, models with Push-In Plus terminal blocks for reduced wiring work, and Plug-in Models that can be removed from the terminal block.
- Short body with depth of only 60 mm. (Screw Terminal Blocks)
- Easy connections to a PLC with programless communications. Use component communications to link Temperature Controllers to each other.
- Set up the Controller without wiring the power supply by connecting to the computer with a Communications Conversion Cable (sold separately). Setup is easy with the CX-Thermo (sold separately).



\* CSA conformance evaluation by UL.



48 × 48 mm  
Screw Terminal  
Blocks  
E5CC

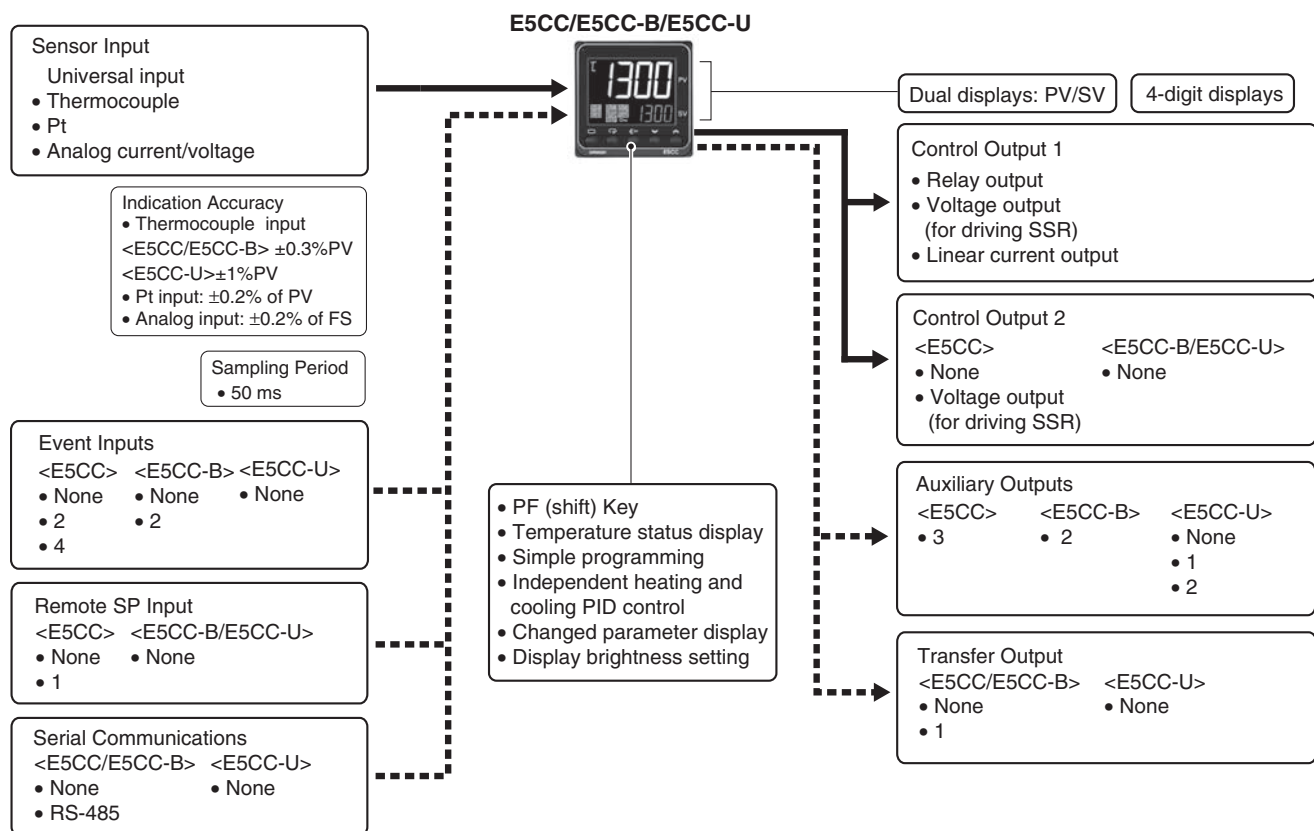
48 × 48 mm  
Push-In Plus  
Terminal Blocks  
E5CC-B

48 × 48 mm  
Plug-in Models  
E5CC-U

Refer to your OMRON website for the most recent information on applicable safety standards.

Refer to Safety Precautions on 122.

## Main I/O Functions



This datasheet is provided as a guideline for selecting products.

Be sure to refer to the following manuals for application precautions and other information required for operation before attempting to use the product.

E5□C Digital Temperature Controllers User's Manual (Cat. No. H174)

E5□C Digital Temperature Controllers Communications Manual (Cat. No. H175)

## Model Number Legend and Standard Models

### Model Number Legend

#### Models with Screw Terminal Blocks

E5CC-□□ 3 □ 5 M-□□□ (Example: E5CC-RX3A5M-000)

① ② ③ ④ ⑤ ⑥

| Model | ①                       | ②                        | ③                    | ④             | ⑤          | ⑥       | Meaning                            |                            |                                  |                 |                 |
|-------|-------------------------|--------------------------|----------------------|---------------|------------|---------|------------------------------------|----------------------------|----------------------------------|-----------------|-----------------|
|       | Control outputs 1 and 2 | No. of auxiliary outputs | Power supply voltage | Terminal type | Input type | Options |                                    |                            |                                  |                 |                 |
| E5CC  |                         |                          |                      |               |            |         | 48 × 48 mm                         |                            |                                  |                 |                 |
|       |                         |                          |                      |               |            |         | Control output 1                   |                            | Control output 2                 |                 |                 |
|       | RX                      |                          |                      |               |            |         | Relay output                       |                            | None                             |                 |                 |
|       | QX                      |                          |                      |               |            |         | Voltage output (for driving SSR)   |                            | None                             |                 |                 |
| *1 *3 | CX                      |                          |                      |               |            |         | Linear current output *2           |                            | None                             |                 |                 |
|       | QQ                      |                          |                      |               |            |         | Voltage output (for driving SSR)   |                            | Voltage output (for driving SSR) |                 |                 |
|       | CQ                      |                          |                      |               |            |         | Linear current output *2           |                            | Voltage output (for driving SSR) |                 |                 |
|       |                         | 3                        |                      |               |            |         | 3 (one common)                     |                            |                                  |                 |                 |
|       |                         |                          | A                    |               |            |         | 100 to 240 VAC                     |                            |                                  |                 |                 |
|       |                         |                          | D                    |               |            |         | 24 VAC/DC                          |                            |                                  |                 |                 |
|       |                         |                          |                      | 5             |            |         | Screw terminal blocks (with cover) |                            |                                  |                 |                 |
|       |                         |                          |                      |               | M          |         | Universal input                    |                            |                                  |                 |                 |
|       |                         |                          |                      |               |            |         | HB alarm and HS alarm              | Communications             | Event inputs                     | Remote SP Input | Transfer output |
|       |                         |                          |                      |               |            |         | 000                                | ---                        | ---                              | ---             | ---             |
|       |                         |                          |                      |               |            | *1      | 001                                | 1                          | ---                              | 2               | ---             |
|       |                         |                          |                      |               |            | *1      | 003                                | 2<br>(for 3-phase heaters) | RS-485                           | ---             | ---             |
|       |                         |                          |                      |               |            | *3      | 004                                | ---                        | RS-485                           | 2               | ---             |
|       |                         |                          |                      |               |            |         | 005                                | ---                        | ---                              | 4               | ---             |
|       |                         |                          |                      |               |            |         | 006                                | ---                        | ---                              | 2               | Provided.       |
|       |                         |                          |                      |               |            |         | 007                                | ---                        | ---                              | 2               | Provided.       |

\*1. Options with HB and HS alarms (001 and 003) cannot be selected if a linear current output is selected for the control output.

\*2. The control output cannot be used as a transfer output.

\*3. Option 004 can be selected only when "CX" is selected for the control outputs.

**Note:** Draw-out-type models of the E5CC are available. Ask your OMRON representative for details.

## Heating and Cooling Control

### Using Heating and Cooling Control

#### ① Control Output Assignment

If there is no control output 2, an auxiliary output is used as the cooling control output.

If there is a control output 2, the two control outputs are used for heating and cooling.

(It does not matter which output is used for heating and which output is used for cooling.)

#### ② Control

If PID control is used, you can set PID control separately for heating and cooling.

This allows you to handle control systems with different heating and cooling response characteristics.

## Model Number Legend

Models with Push-In Plus Terminal Blocks

E5CC-□□ 2 □ B M-□□□ (Example: E5CC-RX2ABM-000)

① ② ③ ④ ⑤ ⑥

| Model | ①<br>Control outputs<br>1 and 2 | ②<br>No. of<br>auxiliary<br>outputs | ③<br>Power<br>supply<br>voltage | ④<br>Terminal<br>type | ⑤<br>Input<br>type | ⑥<br>Options | Meaning                             |                          |                  |                 |                    |                    |
|-------|---------------------------------|-------------------------------------|---------------------------------|-----------------------|--------------------|--------------|-------------------------------------|--------------------------|------------------|-----------------|--------------------|--------------------|
| E5CC  |                                 |                                     |                                 |                       |                    |              | 48 × 48 mm                          |                          |                  |                 |                    |                    |
|       |                                 |                                     |                                 |                       |                    |              | Control output 1                    |                          | Control output 2 |                 |                    |                    |
|       | RX                              |                                     |                                 |                       |                    |              | Relay output                        |                          | None             |                 |                    |                    |
|       | QX                              |                                     |                                 |                       |                    |              | Voltage output<br>(for driving SSR) |                          | None             |                 |                    |                    |
| *1    | CX                              |                                     |                                 |                       |                    |              | Linear current output *2            |                          | None             |                 |                    |                    |
|       |                                 | 2                                   |                                 |                       |                    |              | 2 (one common)                      |                          |                  |                 |                    |                    |
|       |                                 |                                     | A                               |                       |                    |              | 100 to 240 VAC                      |                          |                  |                 |                    |                    |
|       |                                 |                                     | D                               |                       |                    |              | 24 VAC/DC                           |                          |                  |                 |                    |                    |
|       |                                 |                                     |                                 | B                     |                    |              | Push-in plus terminal blocks        |                          |                  |                 |                    |                    |
|       |                                 |                                     |                                 |                       | M                  |              | Universal input                     |                          |                  |                 |                    |                    |
|       |                                 |                                     |                                 |                       |                    |              |                                     | HB alarm and<br>HS alarm | Communications   | Event<br>inputs | Remote<br>SP Input | Transfer<br>output |
|       |                                 |                                     |                                 |                       |                    |              | 000                                 | ---                      | ---              | ---             | ---                | ---                |
|       |                                 |                                     |                                 |                       |                    | *1           | 001                                 | 1                        | ---              | 2               | ---                | ---                |
|       |                                 |                                     |                                 |                       |                    | *1           | 002                                 | 1                        | RS-485           | ---             | ---                | ---                |
|       |                                 |                                     |                                 |                       |                    |              | 004                                 | ---                      | RS-485           | 2               | ---                | ---                |
|       |                                 |                                     |                                 |                       |                    |              | 006                                 | ---                      | ---              | 2               | ---                | Provided.          |

\*1. Options with HB and HS alarms (001, 002) cannot be selected if a linear current output is selected for the control output.

\*2. The control output cannot be used as a transfer output.

## Heating and Cooling Control

### Using Heating and Cooling Control

#### ① Control Output Assignment

An auxiliary output is used as the cooling control output.

#### ② Control

If PID control is used, you can set PID control separately for heating and cooling.

This allows you to handle control systems with different heating and cooling response characteristics.

## Model Number Legend

### Plug-in Models

E5CC-□□ □□ U M -000 (Example: E5CC-RW0AUM-000)

① ② ③ ④ ⑤ ⑥

| Model | ①                       | ②                        | ③                    | ④             | ⑤          | ⑥       | Meaning                          |                |              |                  |                 |  |  |
|-------|-------------------------|--------------------------|----------------------|---------------|------------|---------|----------------------------------|----------------|--------------|------------------|-----------------|--|--|
|       | Control outputs 1 and 2 | No. of auxiliary outputs | Power supply voltage | Terminal type | Input type | Options |                                  |                |              |                  |                 |  |  |
| E5CC  |                         |                          |                      |               |            |         | 48 × 48 mm                       |                |              |                  |                 |  |  |
|       |                         |                          |                      |               |            |         | Control output 1                 |                |              | Control output 2 |                 |  |  |
|       | RW                      |                          |                      |               |            |         | Relay output (SPDT)              |                |              | None             |                 |  |  |
|       | QX                      |                          |                      |               |            |         | Voltage output (for driving SSR) |                |              | None             |                 |  |  |
|       | CX                      |                          |                      |               |            |         | Linear current output *          |                |              | None             |                 |  |  |
|       |                         | 0                        |                      |               |            |         | None                             |                |              |                  |                 |  |  |
|       |                         | 1                        |                      |               |            |         | 1                                |                |              |                  |                 |  |  |
|       |                         | 2                        |                      |               |            |         | 2 (one common)                   |                |              |                  |                 |  |  |
|       |                         |                          | A                    |               |            |         | 100 to 240 VAC                   |                |              |                  |                 |  |  |
|       |                         |                          | D                    |               |            |         | 24 VAC/DC                        |                |              |                  |                 |  |  |
|       |                         |                          |                      | U             |            |         | Plug-in model                    |                |              |                  |                 |  |  |
|       |                         |                          |                      |               | M          |         | Universal input                  |                |              |                  |                 |  |  |
|       |                         |                          |                      |               |            |         | HB alarm and HS alarm            | Communications | Event inputs | Remote SP Input  | Transfer output |  |  |
|       |                         |                          |                      |               |            | 000     | ---                              | ---            | ---          | ---              | ---             |  |  |

\* The control output can be used as a simple transfer output for the Digital Temperature Controllers manufactured in May 2014 or later.

## List of Models

| Control output                   | No. of auxiliary outputs | Options               |                     |                | Model                |                 |
|----------------------------------|--------------------------|-----------------------|---------------------|----------------|----------------------|-----------------|
|                                  |                          | HB alarm and HS alarm | No. of event inputs | Communications | Power supply voltage |                 |
|                                  |                          |                       |                     |                | 100 to 240 VAC       | 24 VAC/DC       |
| Relay output                     | ---                      | ---                   | ---                 | ---            | E5CC-RW0AUM-000      | E5CC-RW0DUM-000 |
|                                  | 1                        |                       |                     |                | E5CC-RW1AUM-000      | E5CC-RW1DUM-000 |
|                                  | 2                        |                       |                     |                | E5CC-RW2AUM-000      | E5CC-RW2DUM-000 |
| Voltage output (for driving SSR) | ---                      | ---                   | ---                 | ---            | E5CC-QX0AUM-000      | E5CC-QX0DUM-000 |
|                                  | 1                        |                       |                     |                | E5CC-QX1AUM-000      | E5CC-QX1DUM-000 |
|                                  | 2                        |                       |                     |                | E5CC-QX2AUM-000      | E5CC-QX2DUM-000 |
| Linear current output            | ---                      | ---                   | ---                 | ---            | E5CC-CX0AUM-000      | E5CC-CX0DUM-000 |
|                                  | 1                        |                       |                     |                | E5CC-CX1AUM-000      | E5CC-CX1DUM-000 |
|                                  | 2                        |                       |                     |                | E5CC-CX2AUM-000      | E5CC-CX2DUM-000 |

## Heating and Cooling Control

### Using Heating and Cooling Control

#### ① Control Output Assignment

An auxiliary output is used as the cooling control output.

#### ② Control

If PID control is used, you can set PID control separately for heating and cooling.

This allows you to handle control systems with different heating and cooling response characteristics.

## Optional Products (Order Separately)

### USB-Serial Conversion Cable

| Model     |
|-----------|
| E58-CIFQ2 |

### Terminal Covers (for E5CC)

| Model            |
|------------------|
| E53-COV17        |
| E53-COV23 (3pcs) |

**Note:** The E53-COV10 cannot be used.  
Refer to page 33 for the mounted dimensions.

### Waterproof Packing

| Model   |
|---------|
| Y92S-P8 |

**Note:** The Waterproof Packing is provided only with E5CC/E5CC-B Controllers.  
The E5CC-U cannot be waterproofed even if the Waterproof Packing is attached.

### Current Transformers (CTs)

| Hole diameter | Model      |
|---------------|------------|
| 5.8 mm        | E54-CT1    |
| 5.8 mm        | E54-CT1L * |
| 12.0 mm       | E54-CT3    |
| 12.0 mm       | E54-CT3L * |

\* Lead wires are included with these CTs. If UL certification is required, use these CTs.

### Adapter

| Model   |
|---------|
| Y92F-45 |

**Note:** Use this Adapter when the panel has already been prepared for an E5B□ Controller.

### Waterproof Cover

| Model    |
|----------|
| Y92A-48N |

### Mounting Adapter

| Model   |
|---------|
| Y92F-49 |

**Note:** This Mounting Adapter is provided with the Digital Temperature Controller.

### DIN Track Mounting Adapter (for E5CC)

| Model   |
|---------|
| Y92F-52 |

### Sockets (for E5CC-U)

| Type                                                             | Model     |
|------------------------------------------------------------------|-----------|
| Front-connecting Socket                                          | P2CF-11   |
| Front-connecting Socket with Finger Protection                   | P2CF-11-E |
| Back-connecting Socket                                           | P3GA-11   |
| Terminal Cover for Back-connecting socket with Finger Protection | Y92A-48G  |

### Front Covers

| Type             | Model    |
|------------------|----------|
| Hard Front Cover | Y92A-48H |
| Soft Front Cover | Y92A-48D |

### CX-Thermo Support Software

| Model       |
|-------------|
| EST2-2C-MV4 |

**Note:** CX-Thermo version 4.5 or higher is required for the E5CC.  
CX-Thermo version 4.61 or higher is required for the E5CC-U.  
CX-Thermo version 4.65 or higher is required for the E5CC-B.  
CX-Thermo version 4.67 or higher is required for the E5CC-B linear current output type.  
For the system requirements for the CX-Thermo, refer to information on the EST2-2C-MV4 on the OMRON website ([www.ia.omron.com](http://www.ia.omron.com)).

## Specifications

### Ratings

|                                      |                                              |                                                                                                                                                                                                                                                                                                                                                                                                                                                                           |
|--------------------------------------|----------------------------------------------|---------------------------------------------------------------------------------------------------------------------------------------------------------------------------------------------------------------------------------------------------------------------------------------------------------------------------------------------------------------------------------------------------------------------------------------------------------------------------|
| <b>Power supply voltage</b>          |                                              | A in model number: 100 to 240 VAC, 50/60 Hz<br>D in model number: 24 VAC, 50/60 Hz; 24 VDC                                                                                                                                                                                                                                                                                                                                                                                |
| <b>Operating voltage range</b>       |                                              | 85% to 110% of rated supply voltage                                                                                                                                                                                                                                                                                                                                                                                                                                       |
| <b>Power consumption</b>             |                                              | Models with option selection of 000:5.2 VA max. at 100 to 240 VAC, and 3.1 VA max. at 24 VAC or 1.6 W max. at 24 VDC<br>All other models: 6.5 VA max. at 100 to 240 VAC, and 4.1 VA max. at 24 VAC or 2.3 W max. at 24 VDC                                                                                                                                                                                                                                                |
| <b>Sensor input</b>                  |                                              | Temperature input<br>Thermocouple: K, J, T, E, L, U, N, R, S, B, C/W, or PL II<br>Platinum resistance thermometer: Pt100 or JPt100<br>Infrared temperature sensor (ES1B): 10 to 70°C, 60 to 120°C, 115 to 165°C, or 140 to 260°C<br>Analog input<br>Current input: 4 to 20 mA or 0 to 20 mA<br>Voltage input: 1 to 5 V, 0 to 5 V, 0 to 10 V, or 0 to 50 mV (The 0 to 50 mV range applies to the E5CC-U only for those manufactured in May 2014 or later.)                 |
| <b>Input impedance</b>               |                                              | Current input: 150 Ω max., Voltage input: 1 MΩ min.<br>(Use a 1:1 connection when connecting the ES2-HB-N/THB-N.)                                                                                                                                                                                                                                                                                                                                                         |
| <b>Control method</b>                |                                              | ON/OFF control or 2-PID control (with auto-tuning)                                                                                                                                                                                                                                                                                                                                                                                                                        |
| <b>Control output</b>                | <b>Relay output</b>                          | E5CC/E5CC-B: SPST-NO, 250 VAC, 3 A (resistive load), electrical life: 100,000 operations, minimum applicable load: 5 V, 10 mA (reference value)<br>E5CC-U: SPDT, 250 VAC, 3 A (resistive load), electrical life: 100,000 operations, minimum applicable load: 5 V, 10 mA (reference value)                                                                                                                                                                                |
|                                      | <b>Voltage output (for driving SSR)</b>      | Output voltage: 12 VDC ±20% (PNP), max. load current: 21 mA, with short-circuit protection circuit                                                                                                                                                                                                                                                                                                                                                                        |
|                                      | <b>Linear current output</b>                 | 4 to 20 mA DC/0 to 20 mA DC, load: 500 Ω max., resolution: approx. 10,000                                                                                                                                                                                                                                                                                                                                                                                                 |
| <b>Auxiliary output</b>              | <b>Number of outputs</b>                     | E5CC: 3<br>E5CC-B: 2<br>E5CC-U: 1 or 2 (depends on model)                                                                                                                                                                                                                                                                                                                                                                                                                 |
|                                      | <b>Output specifications</b>                 | SPST-NO relay outputs, 250 VAC, Models with 1 output: 3 A (resistive load), E5CC-U models with 2 outputs: 3 A (resistive load), E5CC-B models with 2 outputs: 2 A (resistive load), Models with 3 outputs: 2 A (resistive load), Electrical life: 100,000 operations, Minimum applicable load: 10 mA at 5 V (reference value)                                                                                                                                             |
| <b>Event input *1</b>                | <b>Number of inputs</b>                      | E5CC: 2 or 4 (depends on model)<br>E5CC-B: 2 (depends on model)                                                                                                                                                                                                                                                                                                                                                                                                           |
|                                      | <b>External contact input specifications</b> | Contact input: ON: 1 kΩ max., OFF: 100 kΩ min.<br>Non-contact input: ON: Residual voltage: 1.5 V max., OFF: Leakage current: 0.1 mA max.<br>Current flow: Approx. 7 mA per contact                                                                                                                                                                                                                                                                                        |
| <b>Transfer output *1</b>            | <b>Number of outputs</b>                     | 1 (only on models with a transfer output)                                                                                                                                                                                                                                                                                                                                                                                                                                 |
|                                      | <b>Output specifications</b>                 | Current output: 4 to 20 mA DC, load: 500 Ω max., resolution: approx. 10,000<br>Linear voltage output: 1 to 5 VDC, load: 1 kΩ min., resolution: Approx. 10,000                                                                                                                                                                                                                                                                                                             |
| <b>Setting method</b>                |                                              | Digital setting using front panel keys                                                                                                                                                                                                                                                                                                                                                                                                                                    |
| <b>Remote SP input *1 *2</b>         |                                              | Current input: 4 to 20 mA DC or 0 to 20 mA DC (input impedance: 150 Ω max.)<br>Voltage input: 1 to 5 V, 0 to 5 V, or 0 to 10 V (input impedance: 1 MΩ min.)                                                                                                                                                                                                                                                                                                               |
| <b>Indication method</b>             |                                              | 11-segment digital display and individual indicators<br>Character height: PV: 15.2 mm, SV: 7.1 mm                                                                                                                                                                                                                                                                                                                                                                         |
| <b>Multi SP *3</b>                   |                                              | Up to eight set points (SP0 to SP7) can be saved and selected using the event inputs, key operations, or serial communications.                                                                                                                                                                                                                                                                                                                                           |
| <b>Bank switching</b>                |                                              | None                                                                                                                                                                                                                                                                                                                                                                                                                                                                      |
| <b>Other functions</b>               |                                              | Manual output, heating/cooling control, loop burnout alarm, SP ramp, other alarm functions, heater burnout (HB) alarm (including SSR failure (HS) alarm), 40% AT, 100% AT, MV limiter, input digital filter, self tuning, robust tuning, PV input shift, run/stop, protection functions, extraction of square root, MV change rate limit, logic operations, temperature status display, simple programming, moving average of input value, and display brightness setting |
| <b>Ambient operating temperature</b> |                                              | -10 to 55°C (with no condensation or icing), For 3-year warranty: -10 to 50°C with standard mounting (with no condensation or icing)                                                                                                                                                                                                                                                                                                                                      |
| <b>Ambient operating humidity</b>    |                                              | 25% to 85%                                                                                                                                                                                                                                                                                                                                                                                                                                                                |
| <b>Storage temperature</b>           |                                              | -25 to 65°C (with no condensation or icing)                                                                                                                                                                                                                                                                                                                                                                                                                               |
| <b>Altitude</b>                      |                                              | 2,000 m max.                                                                                                                                                                                                                                                                                                                                                                                                                                                              |
| <b>Recommended fuse</b>              |                                              | T2A, 250 VAC, time-lag, low-breaking capacity                                                                                                                                                                                                                                                                                                                                                                                                                             |
| <b>Installation environment</b>      |                                              | Overvoltage category II, Pollution Degree 2 (EN/IEC/UL 61010-1)                                                                                                                                                                                                                                                                                                                                                                                                           |

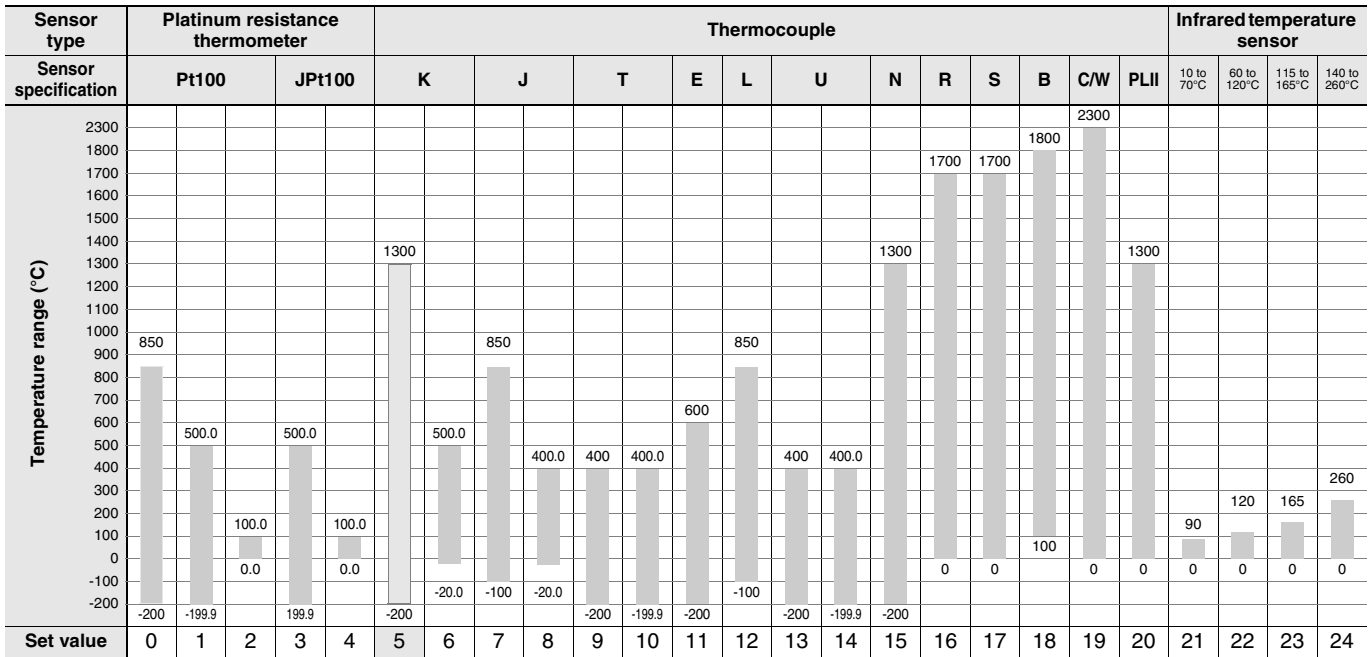
\*1. There are no optional functions for the E5CC-U. Refer to *Model Number Legend* and *List of Models* on page 21.

\*2. This function is not supported by the E5CC-B. Refer to *Model Number Legend* on page 20.

\*3. With the E5CC-B, there can be up to four set points if event inputs are used to select them.

## Input Ranges

### Thermocouple/Platinum Resistance Thermometer (Universal inputs)



Shaded settings are the default settings.

The applicable standards for the input types are as follows:

K, J, T, E, N, R, S, B: JIS C 1602-2015, IEC 60584-1

JPt100: JIS C 1604-1989, JIS C 1606-1989

L: Fe-CuNi, DIN 43710-1985

Pt100: JIS C 1604-1997, IEC 60751

U: Cu-CuNi, DIN 43710-1985

PL II: According to Platinel II electromotive force charts from BASF (previously Engelhard)

C/W: W5Re/W26Re, JIS C 1602-2015, ASTM E988-1990

## Analog input

| Input type          | Current                                                                                                             |            | Voltage  |          |           |             |
|---------------------|---------------------------------------------------------------------------------------------------------------------|------------|----------|----------|-----------|-------------|
| Input specification | 4 to 20 mA                                                                                                          | 0 to 20 mA | 1 to 5 V | 0 to 5 V | 0 to 10 V | 0 to 50 mV* |
| Setting range       | Usable in the following ranges by scaling:<br>-1999 to 9999, -199.9 to 999.9,<br>-19.99 to 99.99 or -1.999 to 9.999 |            |          |          |           |             |
| Set value           | 25                                                                                                                  | 26         | 27       | 28       | 29        | 30          |

\* The range applies to the E5CC-U only for those manufactured in May 2014 or later.

## Alarm Types

Each alarm can be independently set to one of the following 19 alarm types. The default is 2: Upper limit. (see note.)

Auxiliary outputs are allocated for alarms. ON delays and OFF delays (0 to 999 s) can also be specified.

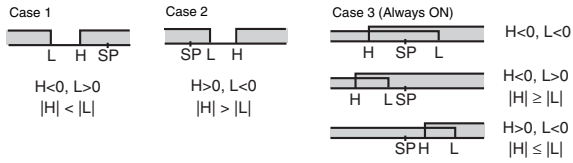
**Note:** In the default settings for models with HB or HS alarms, alarm 1 is set to a heater alarm (HA) and the Alarm Type 1 parameter is not displayed. To use alarm 1, set the output assignment to alarm 1.

| Set value   | Alarm type                                       | Alarm output operation                   |                                                   | Description of function                                                                                                                                                                                      |
|-------------|--------------------------------------------------|------------------------------------------|---------------------------------------------------|--------------------------------------------------------------------------------------------------------------------------------------------------------------------------------------------------------------|
|             |                                                  | When alarm value X is positive           | When alarm value X is negative                    |                                                                                                                                                                                                              |
| 0           | Alarm function OFF                               | Output OFF                               |                                                   | No alarm                                                                                                                                                                                                     |
| 1           | Upper- and lower-limit *1                        |                                          | *2                                                | Set the upward deviation in the set point for the alarm upper limit (H) and the lower deviation in the set point for the alarm lower limit (L). The alarm is ON when the PV is outside this deviation range. |
| 2 (default) | Upper-limit                                      |                                          |                                                   | Set the upward deviation in the set point by setting the alarm value (X). The alarm is ON when the PV is higher than the SP by the deviation or more.                                                        |
| 3           | Lower-limit                                      |                                          |                                                   | Set the downward deviation in the set point by setting the alarm value (X). The alarm is ON when the PV is lower than the SP by the deviation or more.                                                       |
| 4           | Upper- and lower-limit range *1                  |                                          | *3                                                | Set the upward deviation in the set point for the alarm upper limit (H) and the lower deviation in the set point for the alarm lower limit (L). The alarm is ON when the PV is inside this deviation range.  |
| 5           | Upper- and lower-limit with standby sequence *1  | *5                                       | *4                                                | A standby sequence is added to the upper- and lower-limit alarm (1). *6                                                                                                                                      |
| 6           | Upper-limit with standby sequence                |                                          |                                                   | A standby sequence is added to the upper-limit alarm (2). *6                                                                                                                                                 |
| 7           | Lower-limit with standby sequence                |                                          |                                                   | A standby sequence is added to the lower-limit alarm (3). *6                                                                                                                                                 |
| 8           | Absolute-value upper-limit                       |                                          |                                                   | The alarm will turn ON if the process value is larger than the alarm value (X) regardless of the set point.                                                                                                  |
| 9           | Absolute-value lower-limit                       |                                          |                                                   | The alarm will turn ON if the process value is smaller than the alarm value (X) regardless of the set point.                                                                                                 |
| 10          | Absolute-value upper-limit with standby sequence |                                          |                                                   | A standby sequence is added to the absolute-value upper-limit alarm (8). *6                                                                                                                                  |
| 11          | Absolute-value lower-limit with standby sequence |                                          |                                                   | A standby sequence is added to the absolute-value lower-limit alarm (9). *6                                                                                                                                  |
| 12          | LBA (alarm 1 type only)                          | -                                        |                                                   | *7                                                                                                                                                                                                           |
| 13          | PV change rate alarm                             | -                                        |                                                   | *8                                                                                                                                                                                                           |
| 14          | SP absolute-value upper-limit alarm              |                                          |                                                   | This alarm type turns ON the alarm when the set point (SP) is higher than the alarm value (X).                                                                                                               |
| 15          | SP absolute-value lower-limit alarm              |                                          |                                                   | This alarm type turns ON the alarm when the set point (SP) is lower than the alarm value (X).                                                                                                                |
| 16          | MV absolute-value upper-limit alarm *9           | Standard Control<br>                     | Standard Control<br>                              | This alarm type turns ON the alarm when the manipulated variable (MV) is higher than the alarm value (X).                                                                                                    |
|             |                                                  | Heating/Cooling Control (Heating MV)<br> | Heating/Cooling Control (Heating MV)<br>Always ON |                                                                                                                                                                                                              |
| 17          | MV absolute-value lower-limit alarm *9           | Standard Control<br>                     | Standard Control<br>                              | This alarm type turns ON the alarm when the manipulated variable (MV) is lower than the alarm value (X).                                                                                                     |
|             |                                                  | Heating/Cooling Control (Cooling MV)<br> | Heating/Cooling Control (Cooling MV)<br>Always ON |                                                                                                                                                                                                              |
| 18          | RSP absolute-value upper-limit alarm *10         |                                          |                                                   | This alarm type turns ON the alarm when the remote SP (RSP) is higher than the alarm value (X).                                                                                                              |
| 19          | RSP absolute-value lower-limit alarm *10         |                                          |                                                   | This alarm type turns ON the alarm when the remote SP (RSP) is lower than the alarm value (X).                                                                                                               |

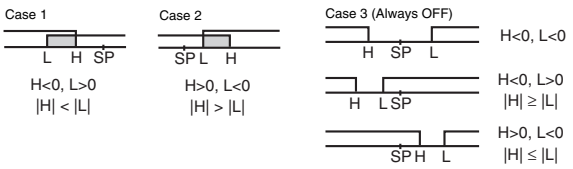


**\*1.** With set values 1, 4 and 5, the upper and lower limit values can be set independently for each alarm type, and are expressed as "L" and "H."

**\*2.** Set value: 1, Upper- and lower-limit alarm



**\*3.** Set value: 4, Upper- and lower-limit range



**\*4.** Set value: 5, Upper- and lower-limit with standby sequence  
 For Upper- and Lower-Limit Alarm Described Above \*2

- Case 1 and 2  
Always OFF when the upper-limit and lower-limit hysteresis overlaps.
- Case 3: Always OFF

**\*5.** Set value: 5, Upper- and lower-limit with standby sequence  
Always OFF when the upper-limit and lower-limit hysteresis overlaps.

**\*6.** Refer to the *E5CC Digital Temperature Controllers User's Manual* (Cat. No. H174) for information on the operation of the standby sequence.

**\*7.** Refer to the *E5CC Digital Temperature Controllers User's Manual* (Cat. No. H174) for information on the loop burnout alarm (LBA).

**\*8.** Refer to the *E5CC Digital Temperature Controllers User's Manual* (Cat. No. H174) for information on the PV change rate alarm.

**\*9.** When heating/cooling control is performed, the MV absolute upper limit alarm functions only for the heating operation and the MV absolute lower limit alarm functions only for the cooling operation.

**\*10.** This value is displayed only when a remote SP input is used. It functions in both Local SP Mode and Remote SP Mode. Remote SP input is supported only for the E5CC.

## Characteristics

|                                                                     |                                                                                                                                                                                                                                                                                                                                                                                                                                                                                                                                                           |                                                                            |
|---------------------------------------------------------------------|-----------------------------------------------------------------------------------------------------------------------------------------------------------------------------------------------------------------------------------------------------------------------------------------------------------------------------------------------------------------------------------------------------------------------------------------------------------------------------------------------------------------------------------------------------------|----------------------------------------------------------------------------|
| <b>Indication accuracy<br/>(at the ambient temperature of 23°C)</b> | E5CC/E5CC-B<br>Thermocouple: (±0.3% of indication value or ±1°C, whichever is greater) ±1 digit max. *1<br>Platinum resistance thermometer: (±0.2% of indication value or ±0.8°C, whichever is greater) ±1 digit max.<br>Analog input: ±0.2% FS ±1 digit max.<br>CT input: ±5% FS ±1 digit max.<br>E5CC-U<br>Thermocouple: (±1% of indication value or ±2°C, whichever is greater) ±1 digit max. *1<br>Platinum resistance thermometer: (±0.2% of indication value or ±0.8°C, whichever is greater) ±1 digit max.<br>Analog input: ±0.2% FS ±1 digit max. |                                                                            |
| <b>Transfer output accuracy</b>                                     | ±0.3% FS max.                                                                                                                                                                                                                                                                                                                                                                                                                                                                                                                                             |                                                                            |
| <b>Simple transfer output accuracy</b>                              | ±0.3% FS max.*2                                                                                                                                                                                                                                                                                                                                                                                                                                                                                                                                           |                                                                            |
| <b>Remote SP Input Type</b>                                         | ±0.2% FS ±1 digit max.                                                                                                                                                                                                                                                                                                                                                                                                                                                                                                                                    |                                                                            |
| <b>Influence of temperature *3</b>                                  | Thermocouple input (R, S, B, C/W, PL II): (±1% of indication value or ±10°C, whichever is greater) ±1 digit max.<br>Other thermocouple input: (±1% of indication value or ±4°C, whichever is greater) ±1 digit max. *4                                                                                                                                                                                                                                                                                                                                    |                                                                            |
| <b>Influence of voltage *3</b>                                      | Platinum resistance thermometer: (±1% of indication value or ±2°C, whichever is greater) ±1 digit max.<br>Analog input: ±1%FS ±1 digit max.                                                                                                                                                                                                                                                                                                                                                                                                               |                                                                            |
| <b>Influence of EMS.<br/>(at EN 61326-1)</b>                        | CT input: ±5% FS ±1 digit max.<br>Remote SP input: ±1% FS ±1 digit max.                                                                                                                                                                                                                                                                                                                                                                                                                                                                                   |                                                                            |
| <b>Input sampling period</b>                                        | 50 ms                                                                                                                                                                                                                                                                                                                                                                                                                                                                                                                                                     |                                                                            |
| <b>Hysteresis</b>                                                   | Temperature input: 0.1 to 999.9°C or °F (in units of 0.1°C or °F)<br>Analog input: 0.01% to 99.99% FS (in units of 0.01% FS)                                                                                                                                                                                                                                                                                                                                                                                                                              |                                                                            |
| <b>Proportional band (P)</b>                                        | Temperature input: 0.1 to 999.9°C or °F (in units of 0.1°C or °F)<br>Analog input: 0.1% to 999.9% FS (in units of 0.1% FS)                                                                                                                                                                                                                                                                                                                                                                                                                                |                                                                            |
| <b>Integral time (I)</b>                                            | 0 to 9999 s (in units of 1 s), 0.0 to 999.9 s (in units of 0.1 s) *5                                                                                                                                                                                                                                                                                                                                                                                                                                                                                      |                                                                            |
| <b>Derivative time (D)</b>                                          | 0 to 9999 s (in units of 1 s), 0.0 to 999.9 s (in units of 0.1 s) *5                                                                                                                                                                                                                                                                                                                                                                                                                                                                                      |                                                                            |
| <b>Proportional band (P) for cooling</b>                            | Temperature input: 0.1 to 999.9°C or °F (in units of 0.1°C or °F)<br>Analog input: 0.1% to 999.9% FS (in units of 0.1% FS)                                                                                                                                                                                                                                                                                                                                                                                                                                |                                                                            |
| <b>Integral time (I) for cooling</b>                                | 0 to 9999 s (in units of 1 s), 0.0 to 999.9 s (in units of 0.1 s) *5                                                                                                                                                                                                                                                                                                                                                                                                                                                                                      |                                                                            |
| <b>Derivative time (D) for cooling</b>                              | 0 to 9999 s (in units of 1 s), 0.0 to 999.9 s (in units of 0.1 s) *5                                                                                                                                                                                                                                                                                                                                                                                                                                                                                      |                                                                            |
| <b>Control period</b>                                               | 0.1, 0.2, 0.5, 1 to 99 s (in units of 1 s)                                                                                                                                                                                                                                                                                                                                                                                                                                                                                                                |                                                                            |
| <b>Manual reset value</b>                                           | 0.0 to 100.0% (in units of 0.1%)                                                                                                                                                                                                                                                                                                                                                                                                                                                                                                                          |                                                                            |
| <b>Alarm setting range</b>                                          | -1999 to 9999 (decimal point position depends on input type)                                                                                                                                                                                                                                                                                                                                                                                                                                                                                              |                                                                            |
| <b>Influence of signal source resistance</b>                        | Thermocouple: 0.1°C/Ω max. (100 Ω max.)<br>Platinum resistance thermometer: 0.1°C/Ω max. (10 Ω max.)                                                                                                                                                                                                                                                                                                                                                                                                                                                      |                                                                            |
| <b>Insulation resistance</b>                                        | 20 MΩ min. (at 500 VDC)                                                                                                                                                                                                                                                                                                                                                                                                                                                                                                                                   |                                                                            |
| <b>Dielectric strength</b>                                          | 3,000 VAC, 50/60 Hz for 1 min between terminals of different charge                                                                                                                                                                                                                                                                                                                                                                                                                                                                                       |                                                                            |
| <b>Vibration</b>                                                    | <b>Malfunction</b>                                                                                                                                                                                                                                                                                                                                                                                                                                                                                                                                        | 10 to 55 Hz, 20 m/s <sup>2</sup> for 10 min each in X, Y, and Z directions |
|                                                                     | <b>Resistance</b>                                                                                                                                                                                                                                                                                                                                                                                                                                                                                                                                         | 10 to 55 Hz, 20 m/s <sup>2</sup> for 2 hrs each in X, Y, and Z directions  |
| <b>Shock</b>                                                        | <b>Malfunction</b>                                                                                                                                                                                                                                                                                                                                                                                                                                                                                                                                        | 100 m/s <sup>2</sup> , 3 times each in X, Y, and Z directions              |
|                                                                     | <b>Resistance</b>                                                                                                                                                                                                                                                                                                                                                                                                                                                                                                                                         | 300 m/s <sup>2</sup> , 3 times each in X, Y, and Z directions              |
| <b>Weight</b>                                                       | E5CC/E5CC-B: Controller: Approx. 120 g, Mounting Adapter: Approx. 10 g<br>E5CC-U: Controller: Approx. 100 g, Mounting Adapter: Approx. 10 g                                                                                                                                                                                                                                                                                                                                                                                                               |                                                                            |
| <b>Degree of protection</b>                                         | E5CC/E5CC-B: Front panel: IP66, Rear case: IP20, Terminals: IP00<br>E5CC-U: Front panel: IP50, Rear case: IP20, Terminals: IP00                                                                                                                                                                                                                                                                                                                                                                                                                           |                                                                            |
| <b>Memory protection</b>                                            | Non-volatile memory (number of writes: 1,000,000 times)                                                                                                                                                                                                                                                                                                                                                                                                                                                                                                   |                                                                            |
| <b>Setup Tool</b>                                                   | E5CC: CX-Thermo version 4.5 or higher<br>E5CC-B: CX-Thermo version 4.65 or higher *7<br>E5CC-U: CX-Thermo version 4.61 or higher                                                                                                                                                                                                                                                                                                                                                                                                                          |                                                                            |
| <b>Setup Tool port</b>                                              | E5CC/E5CC-B/E5CC-U top panel: An E58-CIFQ2 USB-Serial Conversion Cable is used to connect to a USB port on the computer. *6                                                                                                                                                                                                                                                                                                                                                                                                                               |                                                                            |

\*1. The indication accuracy of K thermocouples in the -200 to 1,300°C range, T and N thermocouples at a temperature of -100°C max., and U and L thermocouples at any temperatures is ±2°C ±1 digit max. The indication accuracy of the B thermocouple at a temperature of 400°C max. is not specified. The indication accuracy of B thermocouples at a temperature of 400 to 800°C is ±3°C max. The indication accuracy of the R and S thermocouples at a temperature of 200°C max. is ±3°C ±1 digit max. The indication accuracy of C/W thermocouples is (±0.3% of PV or ±3°C, whichever is greater) ±1 digit max. The indication accuracy of PL II thermocouples is (±0.3% of PV or ±2°C, whichever is greater) ±1 digit max.

\*2. However, the precision between 0 and 4 mA for a 0 to 20 mA output is ±1% FS max.

\*3. Ambient temperature: -10°C to 23°C to 55°C, Voltage range: -15% to 10% of rated voltage

\*4. K thermocouple at -100°C max.: ±10°C max.

\*5. The unit is determined by the setting of the Integral/Derivative Time Unit parameter.

\*6. External communications (RS-485) and USB-serial conversion cable communications can be used at the same time.

\*7. CX-Thermo version 4.67 or higher is required for the E5CC-B linear current output type.

## E5CC/E5CC-B/E5CC-U

| Standards | Approved standards  | cULus: UL 61010-1/CSA C22.2 No.61010-1 *8, KOSHA (S Mark) certification (Some models only.) *9, Korean wireless regulations (Radio law: KC Mark) (Some models only.) *9, Lloyd's standards *10, EAC                                                                                                                                                                                                                                        |
|-----------|---------------------|--------------------------------------------------------------------------------------------------------------------------------------------------------------------------------------------------------------------------------------------------------------------------------------------------------------------------------------------------------------------------------------------------------------------------------------------|
|           | Conformed standards | EN 61010-1 (IEC 61010-1), RCM                                                                                                                                                                                                                                                                                                                                                                                                              |
| EMC       |                     | EMI: EN 61326-1 *11<br>Radiated Interference Electromagnetic Field Strength: EN 55011 Group 1, class A<br>Noise Terminal Voltage: EN 55011 Group 1, class A<br>EMS: EN 61326-1 *11<br>ESD Immunity: EN 61000-4-2<br>Electromagnetic Field Immunity: EN 61000-4-3<br>Burst Noise Immunity: EN 61000-4-4<br>Conducted Disturbance Immunity: EN 61000-4-6<br>Surge Immunity: EN 61000-4-5<br>Voltage Dip/Interrupting Immunity: EN 61000-4-11 |

\*8. The E5CC-U plug-in model is certified for UL listing only when used together with the OMRON P2CF-11 or P2CF-11-E Socket. The P3GA-11 is not certified for UL listing.

\*9. Access the following website for information on certified models. <http://www.ia.omron.com/support/models/index.html>

\*10. Refer to information on maritime standards in *Shipping Standards* on page 124 for compliance with Lloyd's Standards.

\*11. Industrial electromagnetic environment (EN/IEC 61326-1 Table 2)

## USB-Serial Conversion Cable

|                                      |                                                                                                                                               |
|--------------------------------------|-----------------------------------------------------------------------------------------------------------------------------------------------|
| <b>Applicable OS</b>                 | Windows XP/Vista/7/8/8.1/10 *1                                                                                                                |
| <b>Applicable software</b>           | CX-Thermo version 4.5 or higher<br>(Version 4.61 or higher is required for the E5CC-U, Version 4.65 or higher is required for the E5CC-B *3.) |
| <b>Applicable models</b>             | E5□C-T Series, E5□C Series, and E5CB Series                                                                                                   |
| <b>USB interface standard</b>        | Conforms to USB Specification 2.0.                                                                                                            |
| <b>DTE speed</b>                     | 38400 bps                                                                                                                                     |
| <b>Connector specifications</b>      | Computer: USB (type A plug)<br>Digital Temperature Controller:<br>Special serial connector                                                    |
| <b>Power supply</b>                  | Bus power (Supplied from USB host controller.)*2                                                                                              |
| <b>Power supply voltage</b>          | 5 VDC                                                                                                                                         |
| <b>Current consumption</b>           | 450 mA max.                                                                                                                                   |
| <b>Output voltage</b>                | 4.7±0.2 VDC<br>(Supplied from USB-Serial Conversion Cable to the Digital Temperature Controller.)                                             |
| <b>Output current</b>                | 250 mA max.<br>(Supplied from USB-Serial Conversion Cable to the Digital Temperature Controller.)                                             |
| <b>Ambient operating temperature</b> | 0 to 55°C (with no condensation or icing)                                                                                                     |
| <b>Ambient operating humidity</b>    | 10% to 80%                                                                                                                                    |
| <b>Storage temperature</b>           | -20 to 60°C (with no condensation or icing)                                                                                                   |
| <b>Storage humidity</b>              | 10% to 80%                                                                                                                                    |
| <b>Altitude</b>                      | 2,000 m max.                                                                                                                                  |
| <b>Weight</b>                        | Approx. 120 g                                                                                                                                 |

Windows is a registered trademark of Microsoft Corporation in the United States and/or other countries.

\*1. CX-Thermo version 4.65 or higher runs on Windows 10.

\*2. Use a high-power port for the USB port.

\*3. CX-Thermo version 4.67 or higher is required for the E5CC-B linear current output type.

**Note:** A driver must be installed on the computer. Refer to the *Instruction Manual* included with the Cable for the installation procedure.

## Communications Specifications

|                                            |                                                                                                   |
|--------------------------------------------|---------------------------------------------------------------------------------------------------|
| <b>Transmission line connection method</b> | RS-485: Multidrop                                                                                 |
| <b>Communications</b>                      | RS-485 (two-wire, half duplex)                                                                    |
| <b>Synchronization method</b>              | Start-stop synchronization                                                                        |
| <b>Protocol</b>                            | CompoWay/F, or Modbus                                                                             |
| <b>Baud rate *</b>                         | 9600, 19200, 38400, or 57600 bps                                                                  |
| <b>Transmission code</b>                   | ASCII                                                                                             |
| <b>Data bit length *</b>                   | 7 or 8 bits                                                                                       |
| <b>Stop bit length *</b>                   | 1 or 2 bits                                                                                       |
| <b>Error detection</b>                     | Vertical parity (none, even, odd)<br>Block check character (BCC) with CompoWay/F or CRC-16 Modbus |
| <b>Flow control</b>                        | None                                                                                              |
| <b>Interface</b>                           | RS-485                                                                                            |
| <b>Retry function</b>                      | None                                                                                              |
| <b>Communications buffer</b>               | 217 bytes                                                                                         |
| <b>Communications response wait time</b>   | 0 to 99 ms<br>Default: 20 ms                                                                      |

\* The baud rate, data bit length, stop bit length, and vertical parity can be individually set using the Communications Setting Level.

## Communications Functions

|                                      |                                                                                                                                                                                                                                                                                                                                                                                                                                                                                                                         |
|--------------------------------------|-------------------------------------------------------------------------------------------------------------------------------------------------------------------------------------------------------------------------------------------------------------------------------------------------------------------------------------------------------------------------------------------------------------------------------------------------------------------------------------------------------------------------|
| <b>Programless communications *1</b> | You can use the memory in the PLC to read and write E5□C parameters, start and stop operation, etc. The E5□C automatically performs communications with PLCs. No communications programming is required.<br>Number of connected Digital Temperature Controllers: 32 max. (Up to 16 for the FX Series)<br>Applicable PLCs<br>OMRON PLCs<br>CS Series, CJ Series, CP Series, NJ Series, or NX1P<br>Mitsubishi Electric PLCs<br>MELSEC Q Series, L Series, FX3 Series, or iQ-R Series<br>KEYENCE PLCs<br>KEYENCE KV Series |
|--------------------------------------|-------------------------------------------------------------------------------------------------------------------------------------------------------------------------------------------------------------------------------------------------------------------------------------------------------------------------------------------------------------------------------------------------------------------------------------------------------------------------------------------------------------------------|

|                                    |                                                                                                                                                                                                                                                                                                                                                                   |
|------------------------------------|-------------------------------------------------------------------------------------------------------------------------------------------------------------------------------------------------------------------------------------------------------------------------------------------------------------------------------------------------------------------|
| <b>Component Communications *1</b> | When Digital Temperature Controllers are connected, set points and RUN/STOP commands can be sent from the Digital Temperature Controller that is set as the master to the Digital Temperature Controllers that are set as slaves. Slope and offsets can be set for the set point. Number of connected Digital Temperature Controllers: 32 max. (including master) |
| <b>Copying *2</b>                  | When Digital Temperature Controllers are connected, the parameters can be copied from the Digital Temperature Controller that is set as the master to the Digital Temperature Controllers that are set as slaves.                                                                                                                                                 |

MELSEC is a registered trademark of Mitsubishi Electric Corporation. KEYENCE is a registered trademark of Keyence Corporation.

\*1. A Temperature Controller with version 1.1 or higher is required. A Temperature Controller with version 2.1 or higher is required for the FX Series or the KV Series.

\*2. Both the programless communications and the component communications support the copying.

## Current Transformer (Order Separately) Ratings

|                             | E54-CT1<br>E54-CT3                               | E54-CT1L<br>E54-CT3L                             |
|-----------------------------|--------------------------------------------------|--------------------------------------------------|
| <b>Dielectric strength</b>  | 1,000 VAC for 1 min                              | 1,500 VAC for 1 min                              |
| <b>Vibration resistance</b> | 50 Hz, 98 m/s <sup>2</sup>                       |                                                  |
| <b>Weight</b>               | E54-CT1: Approx. 11.5 g<br>E54-CT3: Approx. 50 g | E54-CT1L: Approx. 14 g<br>E54-CT3L: Approx. 57 g |
| <b>Accessories</b>          | E54-CT3 Only<br>Armatures (2)<br>Plugs (2)       | None                                             |

## Heater Burnout Alarms and SSR Failure Alarms

|                                                |                                                                                                                                       |
|------------------------------------------------|---------------------------------------------------------------------------------------------------------------------------------------|
| <b>CT input (for heater current detection)</b> | Models with detection for single-phase heaters: One input<br>Models with detection for singlephase or three-phase heaters: Two inputs |
| <b>Maximum heater current</b>                  | 50 A AC                                                                                                                               |
| <b>Input current indication accuracy</b>       | ±5% FS ±1 digit max.                                                                                                                  |
| <b>Heater burnout alarm setting range *1</b>   | 0.1 to 49.9 A (in units of 0.1 A)<br>Minimum detection ON time: 100 ms *3                                                             |
| <b>SSR failure alarm setting range *2</b>      | 0.1 to 49.9 A (in units of 0.1 A)<br>Minimum detection OFF time: 100 ms *4                                                            |

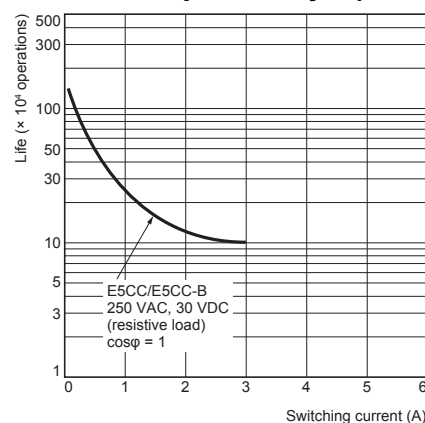
\*1. For heater burnout alarms, the heater current will be measured when the control output is ON, and the output will turn ON if the heater current is lower than the set value (i.e., heater burnout detection current value).

\*2. For SSR failure alarms, the heater current will be measured when the control output is OFF, and the output will turn ON if the heater current is higher than the set value (i.e., SSR failure detection current value).

\*3. The value is 30 ms for a control period of 0.1 s or 0.2 s.

\*4. The value is 35 ms for a control period of 0.1 s or 0.2 s.

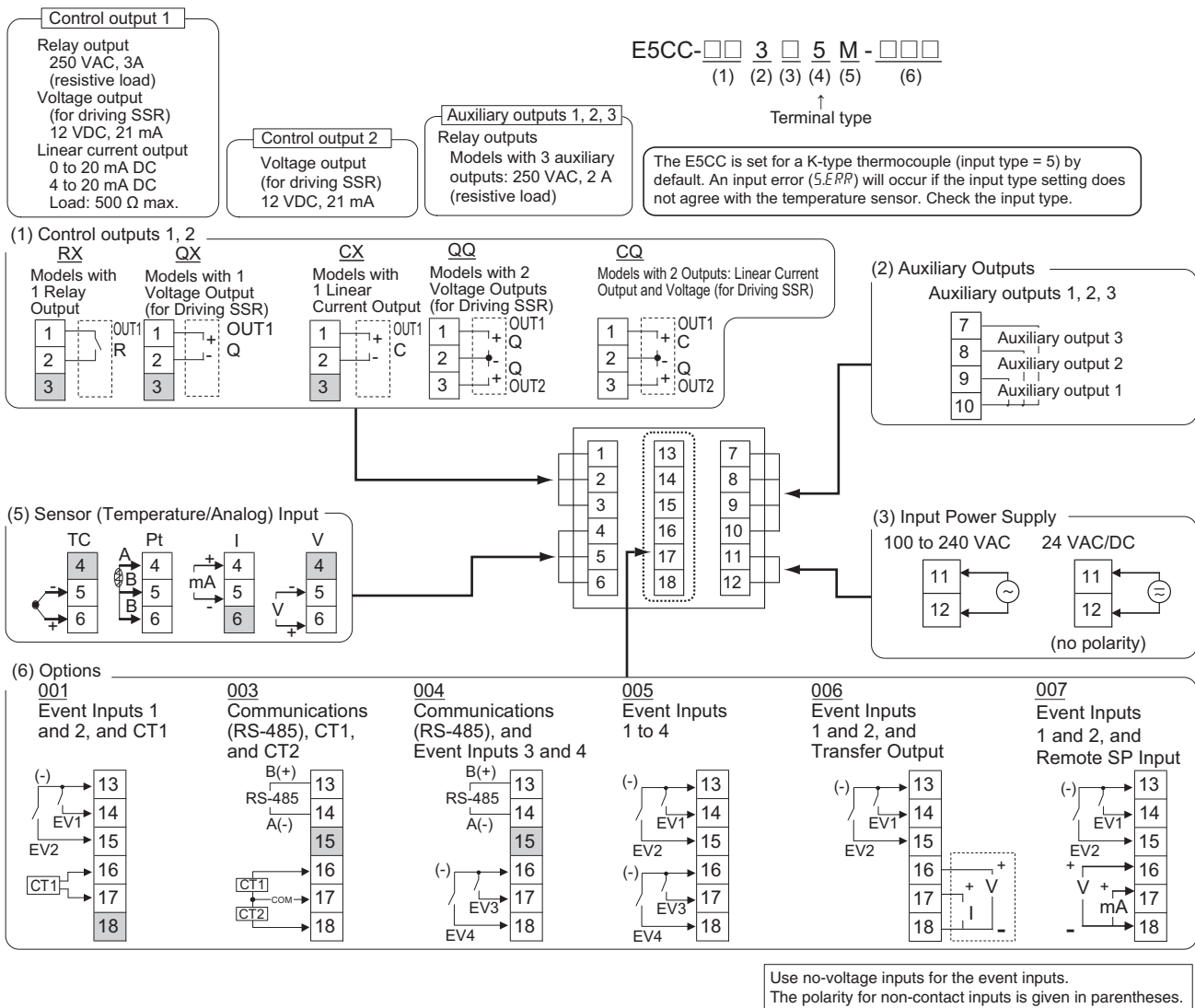
## Electrical Life Expectancy Curve for Control Output Relays (Reference Values)



# E5CC/E5CC-B/E5CC-U

## External Connections

### E5CC (Screw Terminal Blocks)

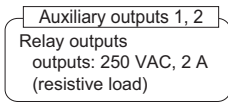
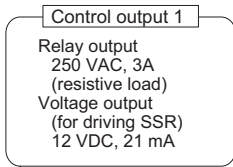


- Note:**
1. The application of the terminals depends on the model.
  2. Do not wire the terminals that are shown with a gray background.
  3. When complying with EMC standards, the cable that connects the sensor must be 30 m or less. If the cable length exceeds 30 m, compliance with EMC standards will not be possible.
  4. Connect M3 crimped terminals.
  5. Due to UL Listing requirements, use the E54-CT1L or E54-CT3L Current Transformer with the factory wiring (internal wiring). Use a UL category XOBA or XOBA7 current transformer that is UL Listed for field wiring (external wiring) and not the factory wiring (internal wiring).

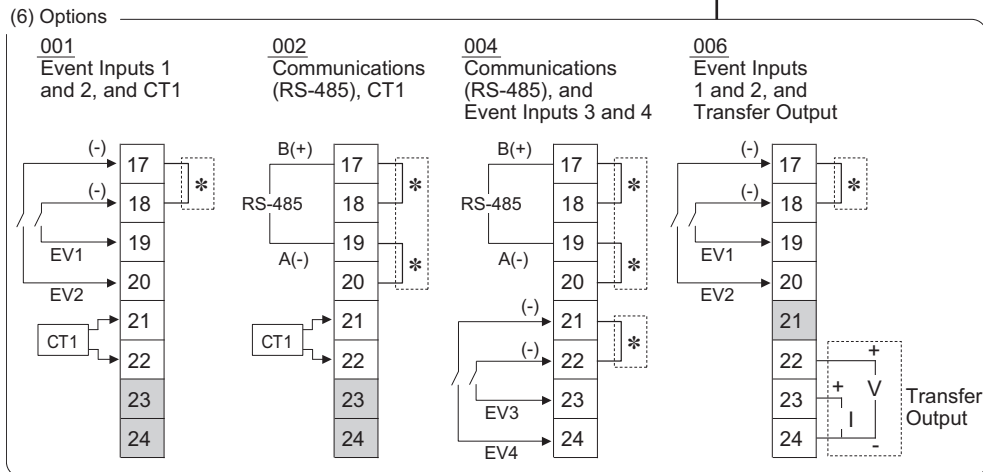
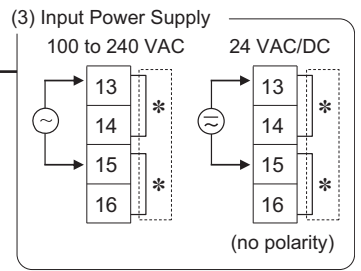
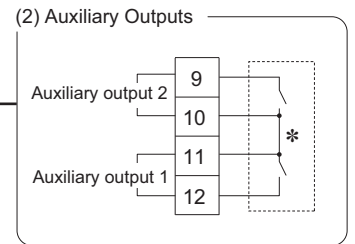
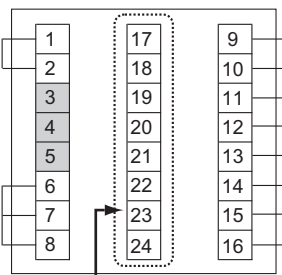
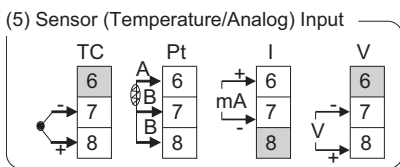
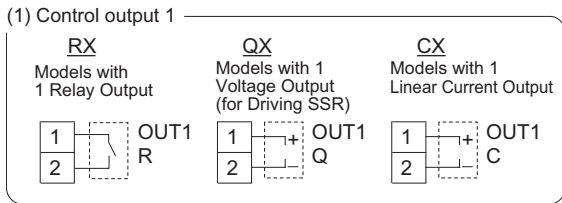
E5CC-B (Push-In Plus Terminal Blocks)

E5CC-□□ 2 □ B M - □□□  
 (1) (2) (3) (4) (5) (6)

Terminal type

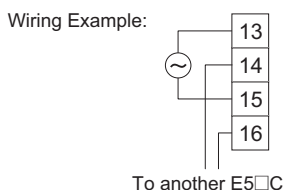


The E5CC is set for a K-type thermocouple (input type = 5) by default. An input error (5ERR) will occur if the input type setting does not agree with the temperature sensor. Check the input type.



Use no-voltage inputs for the event inputs.  
 The polarity for non-contact inputs is given in parentheses.

- Note:**
- The application of the terminals depends on the model.
  - Do not wire the terminals that are shown with a gray background.
  - When complying with EMC standards, the cable that connects the sensor must be 30 m or less. If the cable length exceeds 30 m, compliance with EMC standards will not be possible.
  - Refer to *Wiring Precautions for E5□C-B (Controllers with Push-In Plus Terminal Blocks)* on page 133 for wire specifications and wiring methods.
  - Common terminals are indicated with asterisks (\*). You can use the input power supply and communications common terminals for crossover wiring. Do not exceed the maximum number of Temperature Controllers given below if you use crossover wiring for the input power supply.  
 100 to 240 VAC Controllers: 16 max.  
 24 VAC/VDC Controllers: 8 max.



- Due to UL Listing requirements, use the E54-CT1L or E54-CT3L Current Transformer with the factory wiring (internal wiring). Use a UL category XOBA or XOBA7 current transformer that is UL Listed for field wiring (external wiring) and not the factory wiring (internal wiring).

# E5CC/E5CC-B/E5CC-U

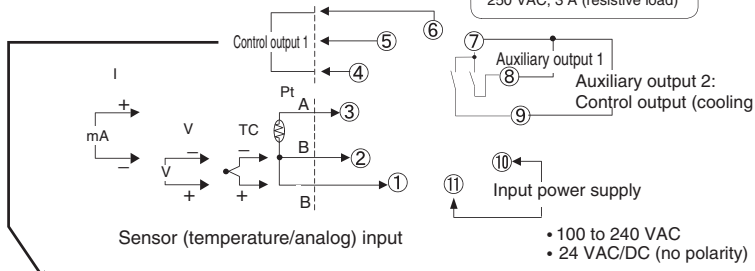
## E5CC-U (Plug-in Models)

The E5CC-U is set for a K-type thermocouple (input type = 5) by default. An input error (5.ERR) will occur if the input type setting does not agree with the temperature sensor. Check the input type.

E5CC-□□□□UM-000

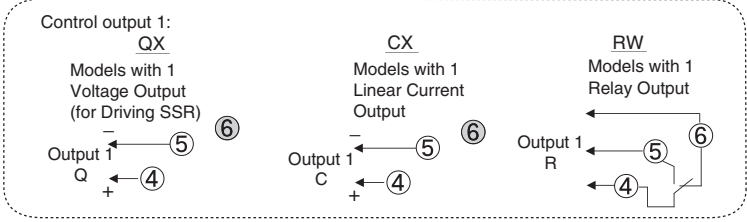
Control output 1

Auxiliary outputs 1, 2  
Relay output  
250 VAC, 3 A (resistive load)



- 100 to 240 VAC
- 24 VAC/DC (no polarity)

**Control output 1**  
Voltage output (for driving SSR)  
12 VDC, 21 mA  
Linear current output  
4 to 20 mA DC  
0 to 20 mA DC  
Load: 500 Ω max.  
Relay output (three terminals used)  
SPDT, 250 VAC, 3 A  
(resistive load)

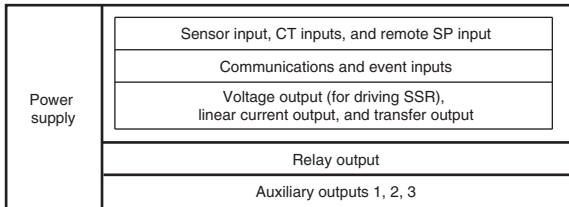


- Note:**
1. The application of the terminals depends on the model.
  2. Do not wire the terminals that are shown with a gray background.
  3. When complying with EMC standards, the cable that connects the sensor must be 30 m or less. If the cable length exceeds 30 m, compliance with EMC standards will not be possible.
  4. Connect M3.5 crimped terminals.

## Isolation/Insulation Block Diagrams

### E5CC

#### Models with 3 Auxiliary Outputs

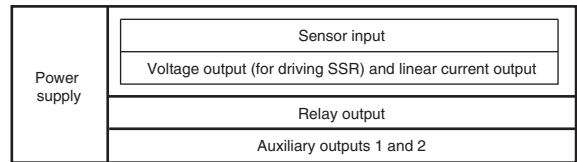


- Reinforced insulation
- Functional isolation

**Note:** Auxiliary outputs 1 to 3 are not insulated.

### E5CC-U

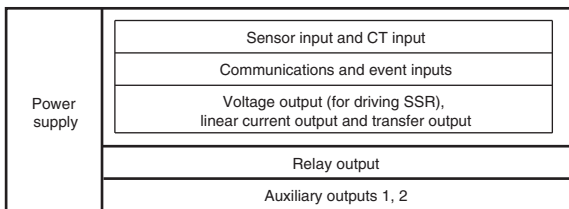
#### Models with 2 Auxiliary Outputs



- Reinforced insulation
- Functional isolation

### E5CC-B

#### Models with 2 Auxiliary Outputs

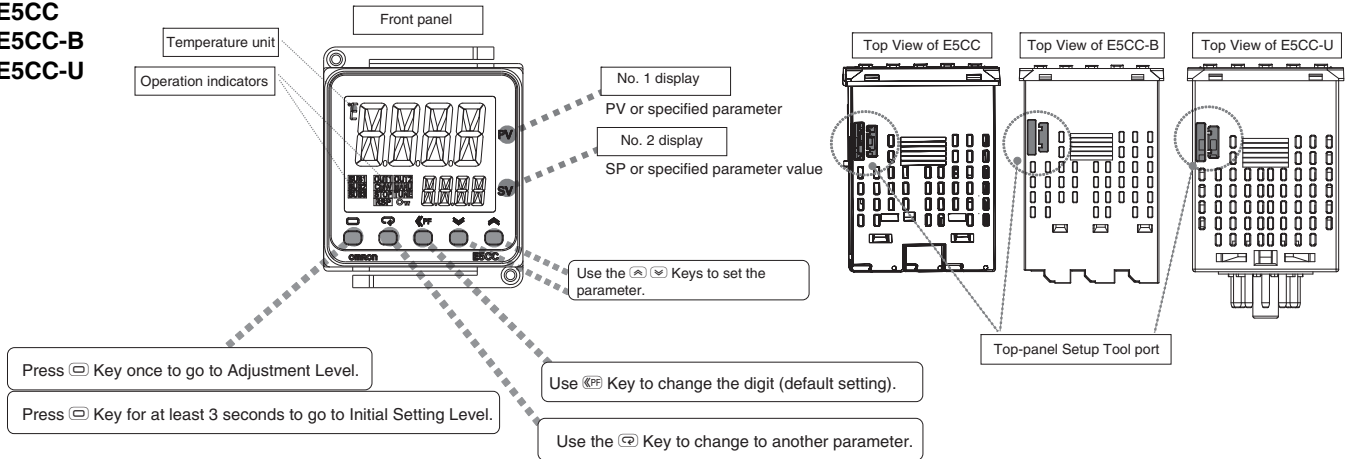


- Reinforced insulation
- Functional isolation



## Nomenclature

E5CC  
E5CC-B  
E5CC-U

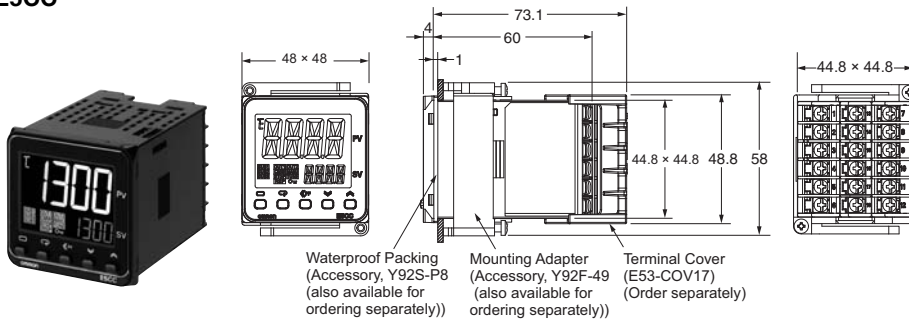


## Dimensions

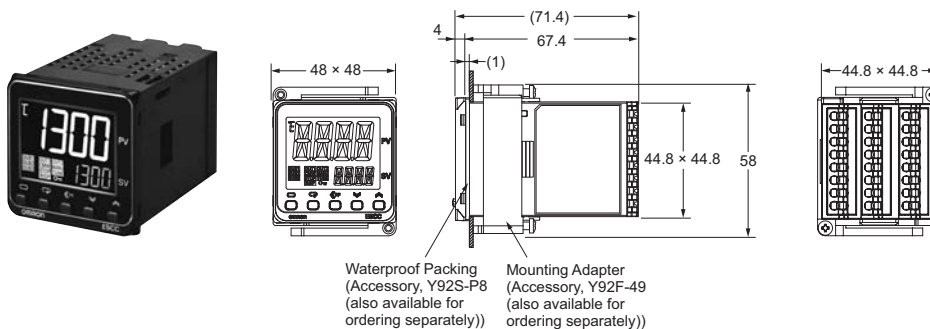
(Unit: mm)

### Controllers

#### E5CC



#### E5CC-B



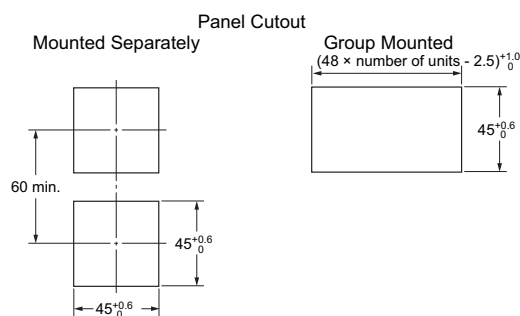
The Setup Tool port is on the top of the Temperature Controller.

It is used to connect the Temperature Controller to the computer to use the Setup Tool.

The E58-CIFQ2 USB-Serial Conversion Cable is required to make the connection.

Refer to the instructions that are provided with the USB-Serial Conversion Cable for the connection procedure.

**Note:** Do not leave the USB-Serial Conversion Cable connected when you use the Temperature Controller.

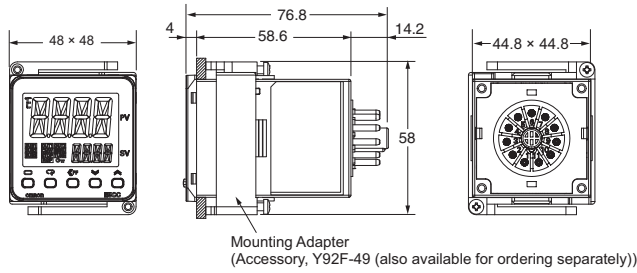


- Recommended panel thickness is 1 to 5 mm.
- Group mounting is not possible in the vertical direction. (Maintain the specified mounting space between Controllers.)
- To mount the Controller so that it is waterproof, insert the waterproof packing onto the Controller.
- When two or more Controllers are mounted, make sure that the surrounding temperature does not exceed the allowable operating temperature specified in the specifications.
- Use a control panel thickness of 1 to 3 mm if the Y92A-48N and a USB-Serial Conversion Cable are used together.

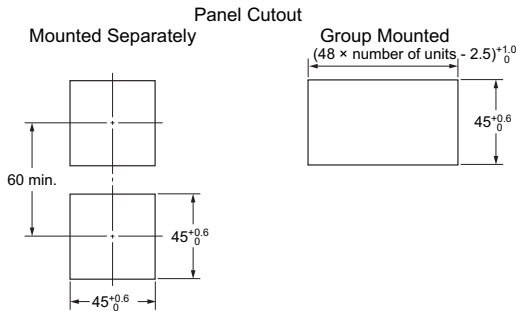


# E5CC/E5CC-B/E5CC-U

## E5CC-U



The Setup Tool port is on the top of the Temperature Controller.  
It is used to connect the Temperature Controller to the computer to use the Setup Tool.  
The E58-CIFQ2 USB-Serial Conversion Cable is required to make the connection.  
Refer to the instructions that are provided with the USB-Serial Conversion Cable for the connection procedure.  
**Note:** Do not leave the USB-Serial Conversion Cable connected when you use the Temperature Controller.

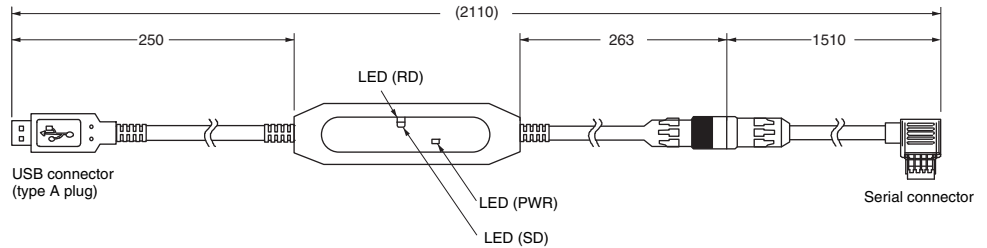


- Recommended panel thickness is 1 to 5 mm.
- Group mounting is not possible in the vertical direction. (Maintain the specified mounting space between Controllers.)
- When two or more Controllers are mounted, make sure that the surrounding temperature does not exceed the allowable operating temperature specified in the specifications.
- Use a control panel thickness of 1 to 3 mm if the Y92A-48N and a USB-Serial Conversion Cable are used together.

## Accessories (Order Separately)

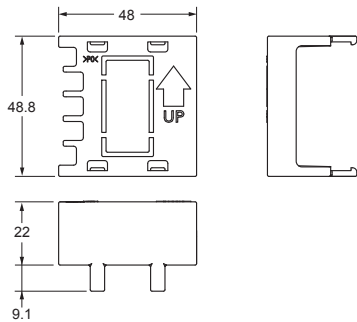
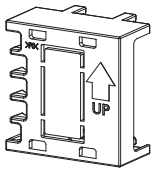
### USB-Serial Conversion Cable

#### E58-CIFQ2



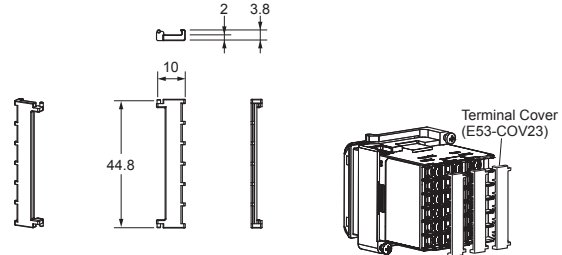
### Terminal Covers

#### E53-COV17



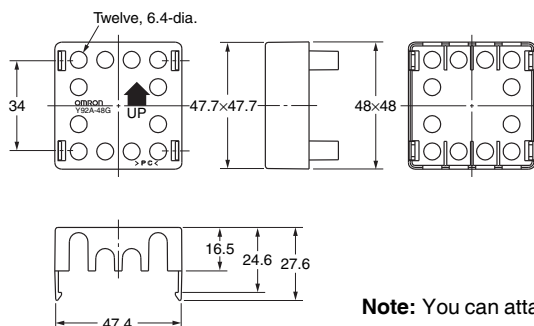
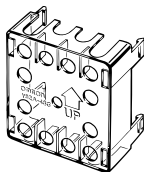
### Terminal Covers

#### E53-COV23 (Three Covers provided.)



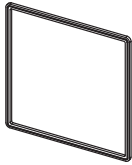
### Terminal Cover (for the P3GA-11 Back-connecting Socket)

#### Y92A-48G



**Note:** You can attach the P3GA-11 Back-connecting Socket for finger protection.

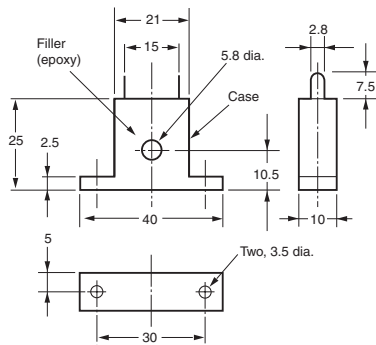
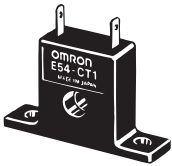
**Waterproof Packing**  
Y92S-P8 (for DIN 48 × 48)



The Waterproof Packing is provided only with the E5CC/E5CC-B.  
It is not included with the E5CC-U.  
Order the Waterproof Packing separately if it becomes lost or damaged.  
The Waterproof Packing can be used to achieve an IP66 degree of protection.  
(Deterioration, shrinking, or hardening of the waterproof packing may occur depending on the operating environment. Therefore, periodic replacement is recommended to ensure the level of waterproofing specified in IP66. The time for periodic replacement depends on the operating environment. Be sure to confirm this point at your site.  
Consider three years as a rough standard.)  
The E5CC-U cannot be waterproofed even if the Waterproof Packing is attached.

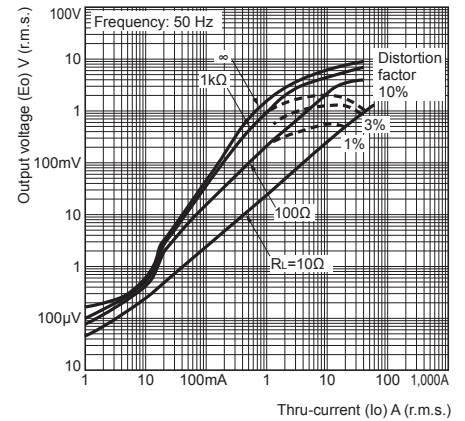
**Current Transformers**

**E54-CT1**

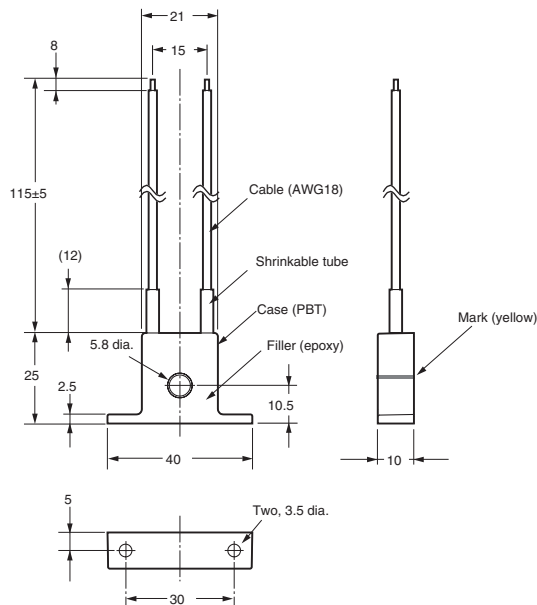
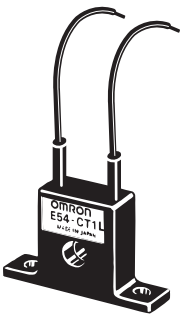


**Thru-current (I<sub>o</sub>) vs. Output Voltage (E<sub>o</sub>)  
(Reference Values)  
E54-CT1 or E54-CT1L**

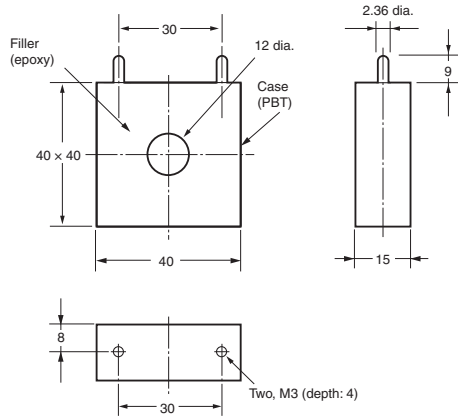
Maximum continuous heater current: 50 A (50/60 Hz)  
Number of windings: 400±2  
Winding resistance: 18±2 Ω



**E54-CT1L**

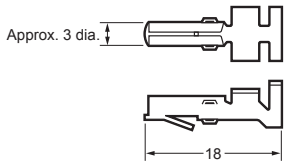


## E54-CT3

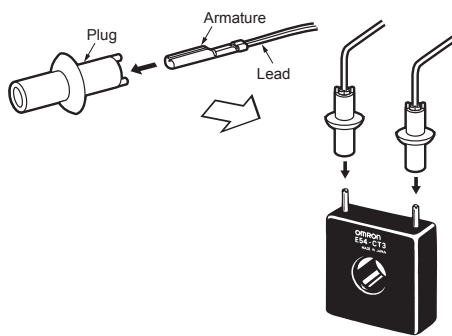


## E54-CT3 Accessories

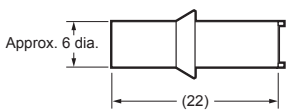
### • Armature



### Connection Example



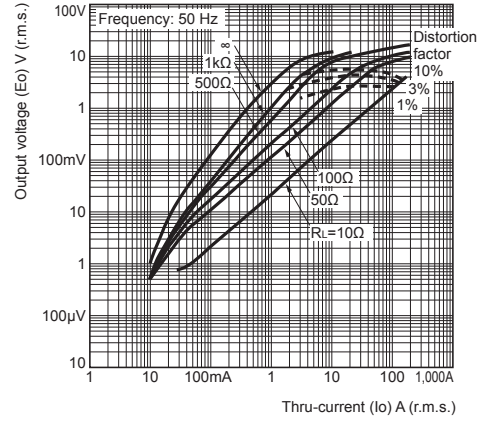
### • Plug



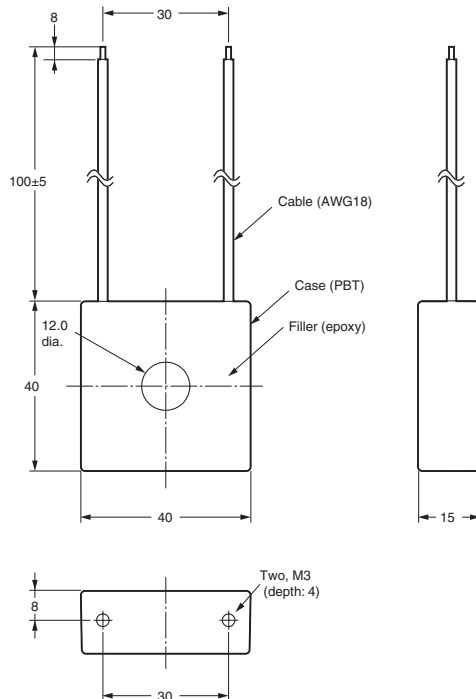
## Thru-current ( $I_o$ ) vs. Output Voltage ( $E_o$ ) (Reference Values) E54-CT3 or E54-CT3L

Maximum continuous heater current: 120 A (50/60 Hz)  
(Maximum continuous heater current for an OMRON Digital Temperature Controller is 50 A.)

Number of windings:  $400 \pm 2$   
Winding resistance:  $8 \pm 0.8 \Omega$



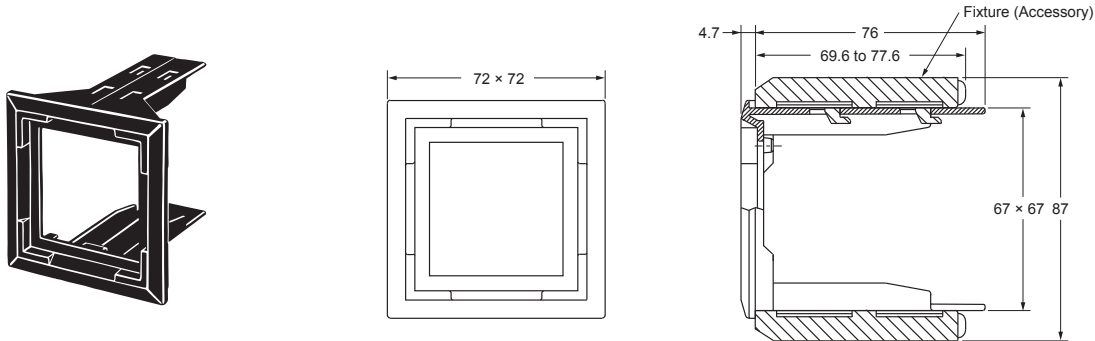
## E54-CT3L



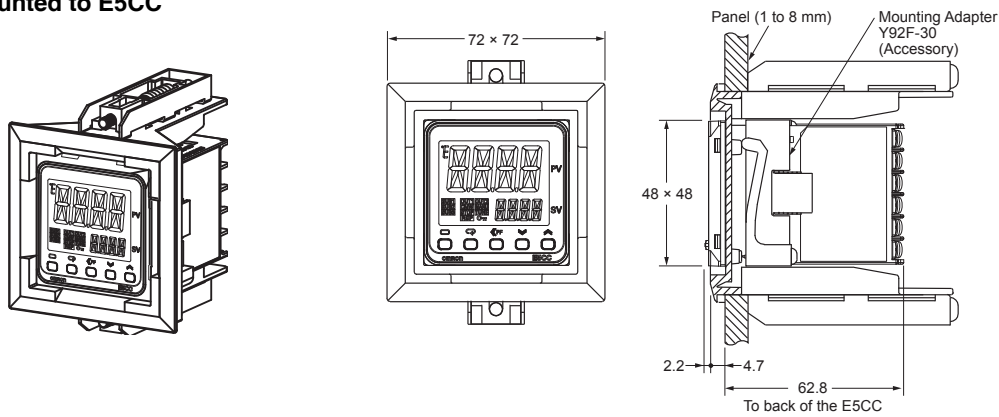
**Adapter**

**Y92F-45**

- Note:** 1. Use this Adapter when the Front Panel has already been prepared for the E5B□.  
 2. Only black is available.  
 3. You cannot use the E58-CIFQ2 USB-Serial Conversion Cable if you use the Y92F-45 Adapter. To use the USB-Serial Conversion Cable to make the settings, do so before you mount the Temperature Controller in the panel.  
 4. You cannot use it together with the Y92F-49 Adapter that is enclosed with the Controller.



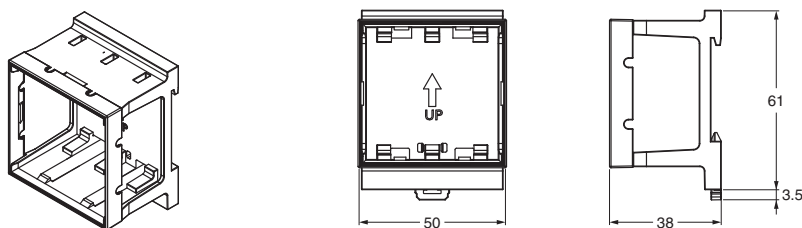
**Mounted to E5CC**



**DIN Track Mounting Adapter**

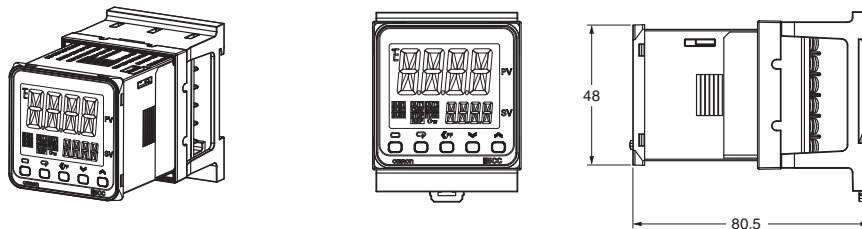
**Y92F-52**

- Note:** This Adapter cannot be used together with the Terminal Cover. Remove the Terminal Cover to use the Adapter.

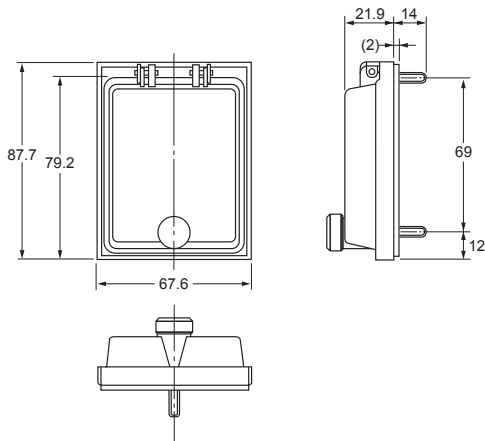


This Adapter is used to mount the E5CC to a DIN Track. If you use the Adapter, there is no need for a plate to mount in the panel or to drill mounting holes in the panel.

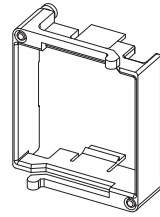
**Mounted to E5CC**



## Watertight Cover Y92A-48N

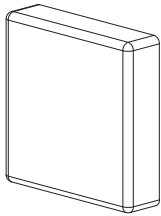


## Mounting Adapter Y92F-49



The Mounting Adapter is provided with the Temperature Controller. Order the Mounting Adapter separately if it becomes lost or damaged.

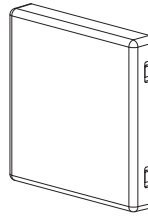
## Protective Cover Y92A-48D



**Note:** This Protective Cover cannot be used if the Waterproof Packing is installed.

This Protective Cover is soft type. It is able to operate the controller with using this cover.

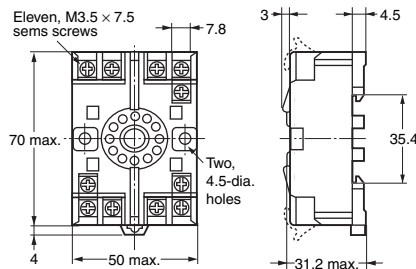
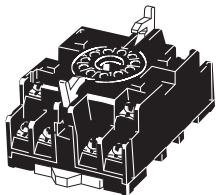
## Protective Cover Y92A-48H



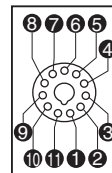
This Protective Cover is hard type. Please use it for the mis-operation prevention etc.

## E5CC-U Wiring Socket

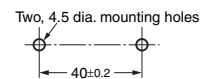
### Front-connecting Socket P2CF-11



### Terminal Layout/Internal Connections (Top View)



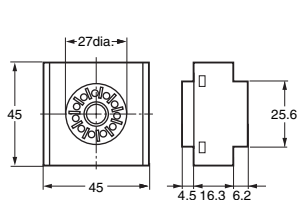
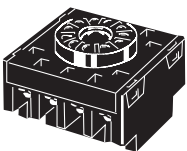
### Mounting Holes



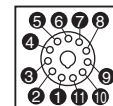
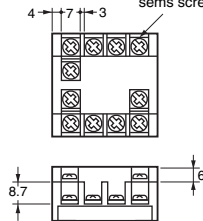
**Note:** Can also be mounted to a DIN track

- Note:** 1. A model with finger protection (P2CF-11-E) is also available.  
2. You cannot use the P2CF-11 or P2CF-11-E together with the Y92F-45.

### Back-connecting Socket P3GA-11



### Terminal Layout/Internal Connections (Bottom View)



- Note:** 1. Using any other sockets will adversely affect accuracy. Use only the specified sockets.  
2. A Protective Cover for finger protection (Y92A-48G) is also available.  
3. You cannot use the P3GA-11 together with the Y92F-45.