



**ET-7053  
PET-7053**

**ET-7253  
PET-7253**

Ethernet I/O Module with 16-channel DI

### Features

- Built-in Web Server
- Web HMI
- Support for both Modbus TCP and Modbus UDP Protocols
- Communication Security
- 2-port Ethernet Switch for Daisy-Chain Topology
- Dual Watchdog
- I/O Pair Connection
- Built-in I/O
- DI/Counter: 16 Channels



### Introduction

The ET-7053/PET-7053/ET-7253/PET-7253 provides 16 dry contact digital input channels. Each input channel can be used as a 32-bit counter. It features optical isolation for 3750 Vrms of transient overvoltage protection but doesn't provide channel-to-channel isolation. It can safely be used in applications where hazardous voltages are present.

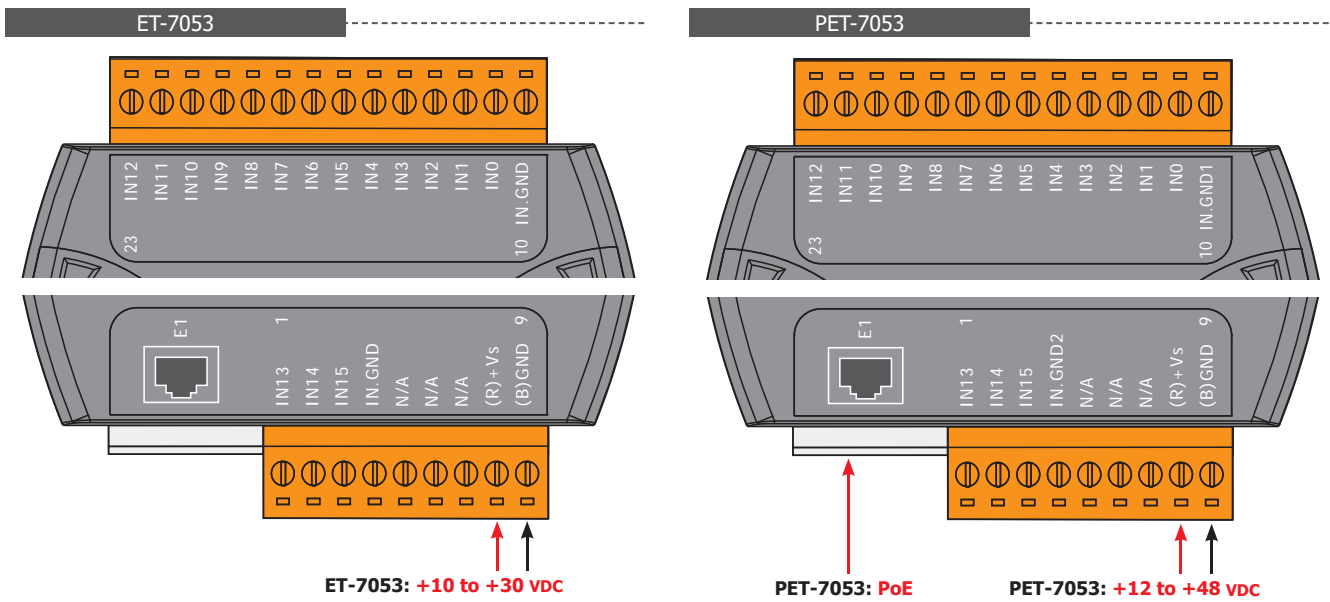
### System Specifications

Model	ET-7053	PET-7053	ET-7253	PET-7253
<b>Software</b>				
Built-in Web Server	Yes			
<b>CPU Module</b>				
Watchdog Timer	Module, Communication (Programmable)			
<b>2-Way Isolation</b>				
Ethernet	1500 Vdc	-	1500 Vdc	-
I/O	2500 Vdc		2500 Vdc	
<b>EMS Protection</b>				
EFT (IEC 61000-4-4)	±4 kV for Power Line			
ESD (IEC 61000-4-2)	±4 kV Contact for Each Terminal ±8 kV Air for Random Point			
<b>LED Indicators</b>				
Status	Run, Ethernet	Run, Ethernet, PoE	Run, Ethernet, I/O	Run, Ethernet, I/O, PoE
<b>Ethernet</b>				
Ports	1 x RJ-45, 10/100 Base-TX		2 x RJ-45, 10/100 Base-TX, Switch Ports	
PoE	-	Yes	-	Yes
Security	ID, Password and IP Filter			
Protocol	Modbus TCP, Modbus UDP			
<b>Power</b>				
Reverse Polarity Protection	Yes			
Consumption	2.7 W (max.)	2.8 W (max.)	3.7 W (max.)	4.1 W (max.)
Powered from PoE	-	IEEE 802.3af, Class1	-	IEEE 802.3af, Class1
Powered from Terminal Block	+10 to +30 VDC	+12 to +48 VDC	+12 to +48 VDC	+12 to +48 VDC
<b>Mechanical</b>				
Dimensions (mm)	72 x 123 x 35 (W x L x H)		76 x 120 x 38 (W x L x H)	
Installation	DIN-Rail mounting			
<b>Environment</b>				
Operating Temperature	-25 to +75°C			
Storage Temperature	-30 to +80°C			
Humidity	10 to 90% RH, Non-condensing			

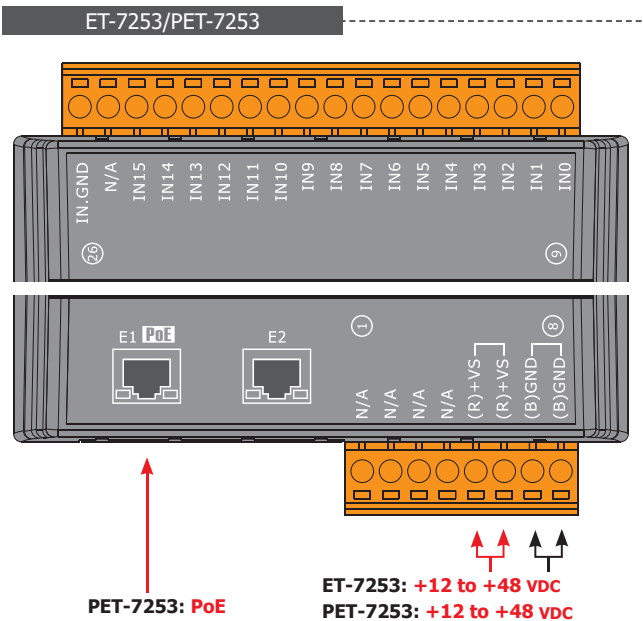
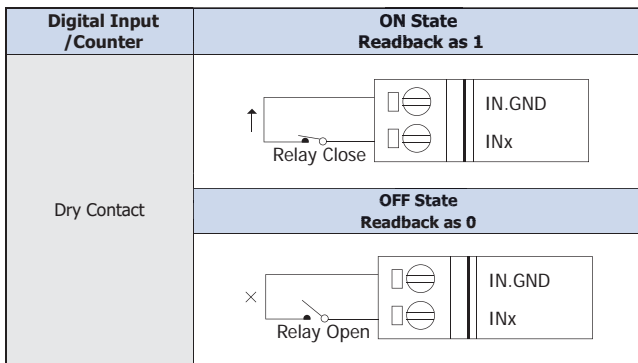
## I/O Specifications

Model	ET-7053	PET-7053	ET-7253	PET-7253
<b>Digital Input/Counter</b>				
Channels	16			
Type	Dry Contact			
Sink/Source (NPN/PNP)	Source			
ON Voltage Level	Close to GND			
OFF Voltage Level	Open			
Max. Counts	4,294,967,295 (32-bit)			
Frequency	500 Hz		100 Hz	
Min. Pulse Width	1 ms		5 ms	
Effective Distance	500m (max.)			

## Pin Assignments



## Wire Connections



## Ordering Information

<b>ET-7053 CR</b>	Ethernet I/O Module with 16-channel Digital Input (RoHS)
<b>PET-7053 CR</b>	PoE Ethernet I/O Module with 16-channel Digital Input (RoHS)
<b>ET-7253 CR</b>	Ethernet I/O Module with 2-port Ethernet Switch, with 16-channel Digital Input (RoHS)
<b>PET-7253 CR</b>	PoE Ethernet I/O Module with 2-port Ethernet Switch, with 16-channel Digital Input (RoHS)