



**ET-7060
PET-7060**

**ET-7260
PET-7260**

Ethernet I/O Module with 6-channel Relay, 6-channel DI

Features

- Built-in Web Server
- Web HMI
- Support for both Modbus TCP and Modbus UDP Protocols
- Communication Security
- 2-port Ethernet Switch for Daisy-Chain Topology
- Dual Watchdog
- I/O Pair Connection
- Built-in I/O
 - DI/Counter: 6 Channels
 - Power Relay: 6 Channels



Introduction

The ET-7060/PET-7060/ET-7260/PET-7260 provides 6 wet contact digital input channels and 6 form A electromechanical relays. It features optical isolation for 3000 VDC of transient overvoltage protection and doesn't have channel-to-channel isolation. Each input channel can be used as a 32-bit counter. The power-on value and safe value of relay are programmable.

Note: When inductive loads are connected to the relays, a large counter electromotive force may occur when the relay actuates because of the energy stored in the load. These flyback voltages can severely damage the relay contacts and greatly shorten the relay life. Limit these flyback voltages at your inductive load by installing a flyback diode for DC loads or a metal oxide varistor for AC loads.

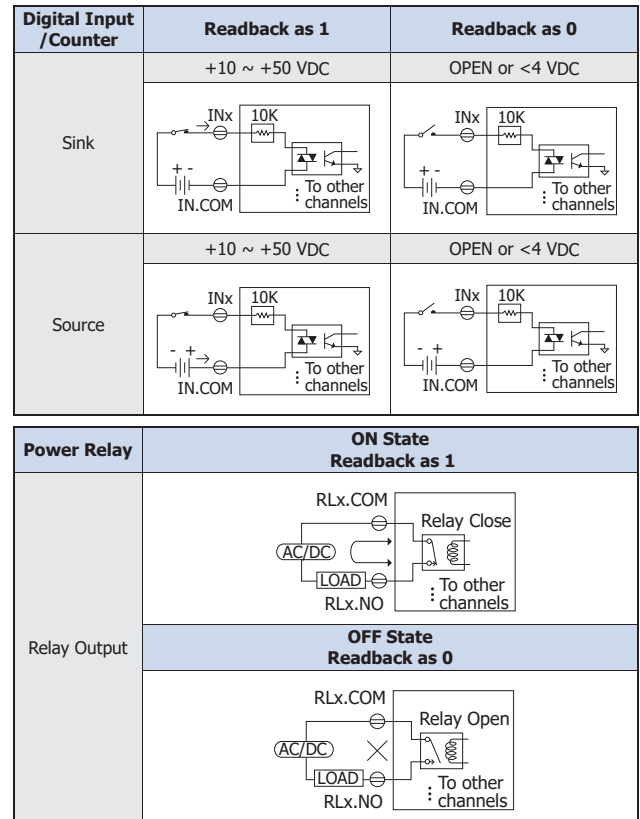
System Specifications

Model	ET-7060	PET-7060	ET-7260	PET-7260
Software				
Built-in Web Server	Yes			
CPU Module				
Watchdog Timer	Module, Communication (Programmable)			
2-Way Isolation				
Ethernet	1500 VDC	-	1500 VDC	-
I/O	3000 VDC			
EMS Protection				
EFT (IEC 61000-4-4)	±2 kV for Power Line		±4 kV for Power Line	
ESD (IEC 61000-4-2)	±4 kV Contact for Each Terminal ±8 kV Air for Random Point			
Surge (IEC 61000-4-5)	±0.5 kV for Power Line		±2 kV for Power Line	
LED Indicators				
Status	Run, Ethernet	Run, Ethernet, PoE	Run, Ethernet, I/O	Run, Ethernet, I/O, PoE
Ethernet				
Ports	1 x RJ-45, 10/100 Base-TX		2 x RJ-45, 10/100 Base-TX, Switch Ports	
PoE	-	Yes	-	Yes
Security	ID, Password and IP Filter			
Protocol	Modbus TCP, Modbus UDP			
Power				
Reverse Polarity Protection	Yes			
Consumption	2.9 W (max.)	2.8 W (max.)	3.6 W (max.)	3.8 W (max.)
Powered from PoE	-	IEEE 802.3af, Class1	-	IEEE 802.3af, Class1
Powered from Terminal Block	+10 to +30 VDC	+12 to +48 VDC	+12 to +48 VDC	+12 to +48 VDC
Mechanical				
Dimensions (mm)	72 x 123 x 35 (W x L x H)		76 x 120 x 38 (W x L x H)	
Installation	DIN-Rail mounting			
Environment				
Operating Temperature	-25 to +75°C			
Storage Temperature	-30 to +80°C			
Humidity	10 to 90% RH, Non-condensing			

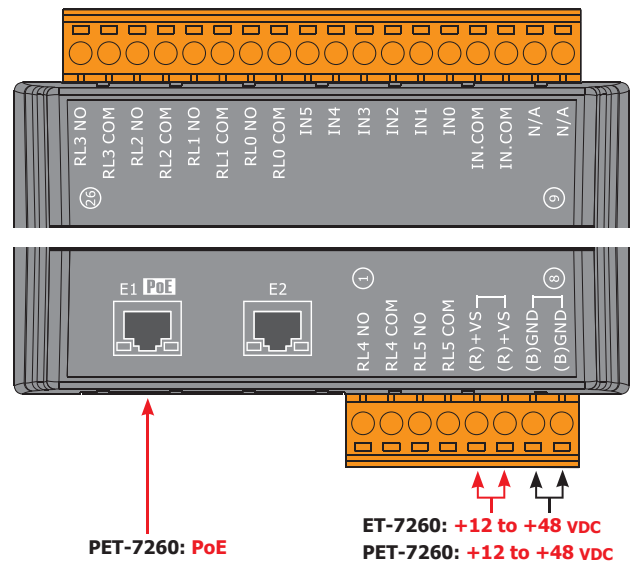
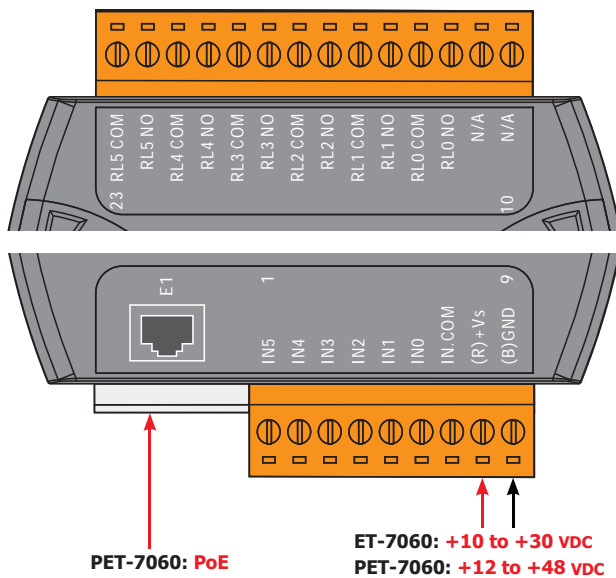
I/O Specifications

Model	ET-7060	PET-7060	ET-7260	PET-7260
Digital Input/Counter				
Channels	6			
Type	Wet Contact			
Sink/Source (NPN/PNP)	Sink/Source			
ON Voltage Level	+10 to +50 VDC			
OFF Voltage Level	+4 VDC (max.)			
Max. Counts	4,294,967,295 (32-bit)			
Frequency	500 Hz		100 Hz	
Min. Pulse Width	1 ms		5 ms	
Input Impedance	10 kΩ			
Overvoltage Protection	+70 VDC			
Relay Output				
Channels	6			
Type	Power Relay, Form A (SPST N.O.)			
Contact Rating	5 A @ 250 VAC/24 VDC (Resistive Load)			
Min. Contact Load	10 mA @ 5 V			
Operate Time	10 ms (max.)			
Release Time	5 ms (max.)			
Electrical Endurance	10 ⁵ ops.			
Mechanical Endurance	2 × 10 ⁷ ops.			
Power on Value	Programmable			
Safe Value	Programmable			

Wire Connections



Pin Assignments



Ordering Information

ET-7060 CR	Ethernet I/O Module with 6-channel Relay Output and 6-channel Digital Input (RoHS)
PET-7060 CR	PoE Ethernet I/O Module with 6-channel Relay Output and 6-channel Digital Input (RoHS)
ET-7260 CR	Ethernet I/O Module with 2-port Ethernet Switch, with 6-channel Relay Output and 6-channel Digital Input (RoHS)
PET-7260 CR	PoE Ethernet I/O Module with 2-port Ethernet Switch, with 6-channel Relay Output and 6-channel Digital Input (RoHS)