



4-channel Isolated Digital Input and 4-channel Relay Output Module

Features

- I-7060(D)/M-7060(D)
 - 2 Form A and 2 Form C Signal Relay Output
 - ± 2 kV EFT protection for Power Line
- M-7060P(D)
 - 2 Form A and 2 Form C Power Relay Output
 - ± 4 kV EFT protection for Power Line
 - ± 3 kV Surge protection for Power Line
- Sink- and Source-type for Digital Input
- Digital Input Channels can be used as 16-bit Counters
- Configurable Power-on Value Settings
- Configurable Safe Value Settings
- Dual Watchdog
- Wide Operating Temperature Range: -25 to +75°C



Introduction

The 7060 series provides 4 digital input channels, 2 Form A and 2 Form C signal relay output channels, while the M-7060P provides 4 digital input channels, 2 Form A and 2 Form C power relay output channels. All digital input channels can be used as 16-bit counters. In addition, the digital input channels can be selected either as sink- or source-type via wire connections. The "D" versions of the 7060 series provide eight LED indicators that can be used to monitor the status of the digital input and relay output. The "M" versions of the 7060 series support both the Modbus RTU and DCON protocols, which can be configured via software. There are also options for configuring power-on and safe values. 4 kV ESD protection and 3750 VDC intra-module isolation are also provided to enhance noise protection capabilities in industrial environments. The 7060 series is the ideal solution for small signal switching applications, while the M-7060P is the perfect solution for high power applications.

System Specifications

Model	I-7060	M-7060	M-7060P
	I-7060D	M-7060D	M-7060PD
Communication			
Interface	RS-485 Modbus RTU, DCON		
Bias Resistor	No (Usually supplied by the RS-485 Master. Alternatively, add a tM-SG4 or SG-785.)		
Format	(N, 8, 1), (N, 8, 2), (E, 8, 1), (O, 8, 1)		
Baud Rate	1200 to 115200 bps		
Protocol	DCON	Modbus RTU, DCON	
Dual Watchdog	Yes, Module (1.6 Seconds), Communication (Programmable)		
LED Indicators/Display			
System LED Indicator	Yes, 1 as Power/Communication Indicator		
I/O LED Indicators	-	-	-
	Yes, 8 LEDs as Digital Input/Relay Output Indicators		
7-segment LED Display	-		
Isolation			
Intra-module Isolation, Field-to-Logic	3750 Vdc		
EMS Protection			
ESD (IEC 61000-4-2)	± 4 kV Contact for each Terminal		
	± 8 kV Air for Random Point		
EFT (IEC 61000-4-4)	± 2 kV for Power Line	± 4 kV for Power Line	
Surge (IEC 61000-4-5)	-	± 3 kV for Power Line	
Power			
Reverse Polarity Protection	Yes		
Input Range	+10 ~ +30 Vdc		
Consumption	1 W	1 W	1.4 W
	1.4 W	1.4 W	1.8 W
Mechanical			
Dimensions (L x W x H)	123 mm x 72 mm x 35 mm		
Installation	DIN-Rail or Wall Mounting		
Environment			
Operating Temperature	-25 to +75°C		
Storage Temperature	-40 to +85°C		
Humidity	10 to 95% RH, Non-condensing		

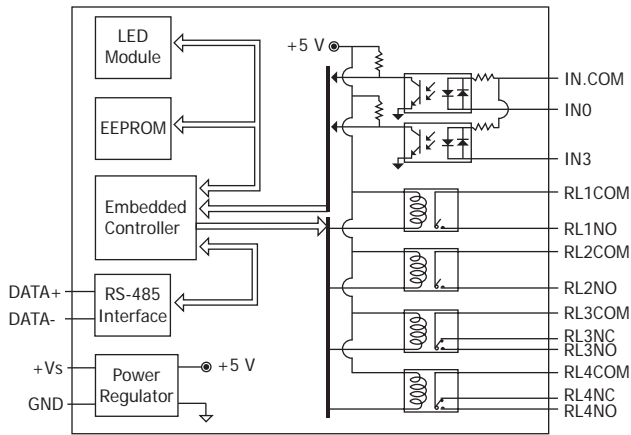
Applications

- Building Automation
- Machine Automation
- Remote Diagnosis
- Factory Automation
- Remote Maintenance
- Testing Equipment

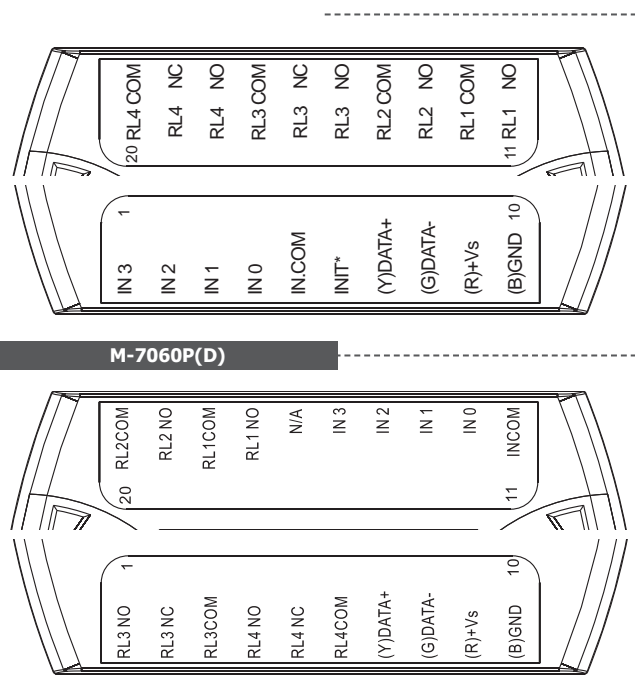
I/O Specifications

Model	I-7060	M-7060	M-7060P
	I-7060D	M-7060D	M-7060PD
Relay Output			
Channels	4 (Form A x 2, Form C x 2)		
Relay Type	Signal Relay		Power Relay
Form A Relay	Contact Rating	0.6 A @ 125 VAC 2 A @ 30 Vdc	16A @ 250 VAC 10 A @ 30 Vdc
	Min. Contact Load	10 uA @ 10 mV	100 mA @ 6 V
	Contact Material	Gold-plated silver	
	Operate Time	3 ms	10 ms
	Release Time	2 ms	5 ms
	Mechanical Endurance	1 x 10 ⁸ ops.	1 x 10 ⁷ ops.
	Electrical Endurance	5 x 10 ⁵ ops.	1 x 10 ⁵ ops.
	Form C Relay	Contact Rating	0.6 A @ 125 VAC 2 A @ 30 Vdc
Min. Contact Load		10 uA @ 10 mV	100 mA @ 6 V
Contact Material		Gold-plated silver	
Operate Time		3 ms	10 ms
Release Time		2 ms	5 ms
Mechanical Endurance		1 x 10 ⁸ ops.	1 x 10 ⁷ ops.
Electrical Endurance	5 x 10 ⁵ ops.	1 x 10 ⁵ ops.	
Surge Strength	1500 Vdc		2500 Vdc
Power-on Value	Yes		
Safe Value	Yes		
Digital Input/Counter			
Channels	4		
Type	Dry Contact	-	
	Wet Contact	Sink/Source	
ON Voltage Level	+1 Vdc Max.		+4 Vdc Max.
OFF Voltage Level	+4 ~ 30 Vdc		+10 ~ 50 Vdc
Counters	Max. Count	65535 (16-bit)	
	Max. Input Frequency	100 Hz	
	Min. Pulse Width	5 ms	
Input Impedance	3 k Ω	10 k Ω	
Overvoltage Protection	± 35 Vdc	± 70 Vdc	

Internal I/O Structure



Pin Assignments



Wire Connections

Digital Input/Counter	ON State Readback as 1	OFF State Readback as 0
I-7060(D)/M-7060(D)	OPEN or <1 Vdc	+4 ~ +30 VDC
M-7060P(D)	OPEN or <4 VDC	+10 ~ +50 VDC
Sink		
Source		

Output Type	ON State Readback as 1	OFF State Readback as 0
Relay Output in RL1 and RL2		
Relay Output in RL3 and RL4		

Ordering Information

I-7060 CR	4-channel Isolated Digital Input and 4-channel Relay Output Module using the DCON Protocol (Blue Cover) (RoHS)
I-7060-G CR	4-channel Isolated Digital Input and 4-channel Relay Output Module using the DCON Protocol (Gray Cover) (RoHS)
I-7060D CR	I-7060 with LED Display (Blue Cover) (RoHS)
I-7060D-G CR	I-7060-G with LED Display (Gray Cover) (RoHS)
M-7060-G CR	4-channel Isolated Digital Input and 4-channel Relay Output Module using the DCON and Modbus Protocols (Gray Cover) (RoHS)
M-7060D-G CR	M-7060-G with LED Display (Gray Cover) (RoHS)
M-7060P-G CR	4-channel Isolated Digital Input and 4-channel Relay Output Module using the DCON and Modbus Protocols (Gray Cover) (RoHS)
M-7060PD-G CR	M-7060P-G with LED Display (Gray Cover) (RoHS)

Accessories

tM-7520U CR	Tiny Isolated RS-232 to RS-485 Converter (RoHS)
tM-7561 CR	Tiny USB to Isolated RS-485 Converter with CA-USB18 Cable (RoHS)
tM-SG4 CR	RS-485 Pull-high/Pull-low and Termination Resistor Module (RoHS)

I-7514U CR	Isolated 4-channel RS-485 Repeater/Hub/Splitter (Gray Cover) (RoHS)
SG-770 CR	7/14 channel Surge Protector (RoHS)
SG-3000 Series	Signal Conditioning Modules for Thermocouple, RTD, DC Voltage, DC Current and Power Input Transformers