

## Features

- 21.5" Fanless Stainless Steel Display
- IP66/69K Full Sealed with Anti-Corrosion Enclosure
- Ultra Slim Front Frame Design
- Special Hygienic Bolts on Rear Case
- M12 Connectors with Waterproof Cover
- DC 9~36V Wide-ranging Power Input

## Specifications

### IO Port

VGA	1 x M12 12-pin for VGA with waterproof cover
HDMI	1 x M12 17-pin for HDMI with waterproof cover
USB	1 x M12 8-pin for USB Touch with waterproof cover
Speaker	1 x 2W IP65 speaker (option)
OSD Control Membrane	OSD on the rear side
Power Connector	1 x M12 3-pin for DC power with waterproof cover

Display	Standard	High Brightness Optional
Display Type	21.5" TFT-LCD	21.5" TFT-LCD
Max. Resolution	1920 x 1080	1920 x 1080
Max. Color	16.7M	16.7M
Luminance (cd/m <sup>2</sup> )	250	1000
View Angle	178(H) /178(V)	178(H) /178(V)
Contrast	1000:1	1000:1
Backlight Lifetime	50,000 hrs	50,000 hrs

### Touch Screen

Type	Projected Capacitive Touch
Interface	USB
Light Transmission(%)	90%

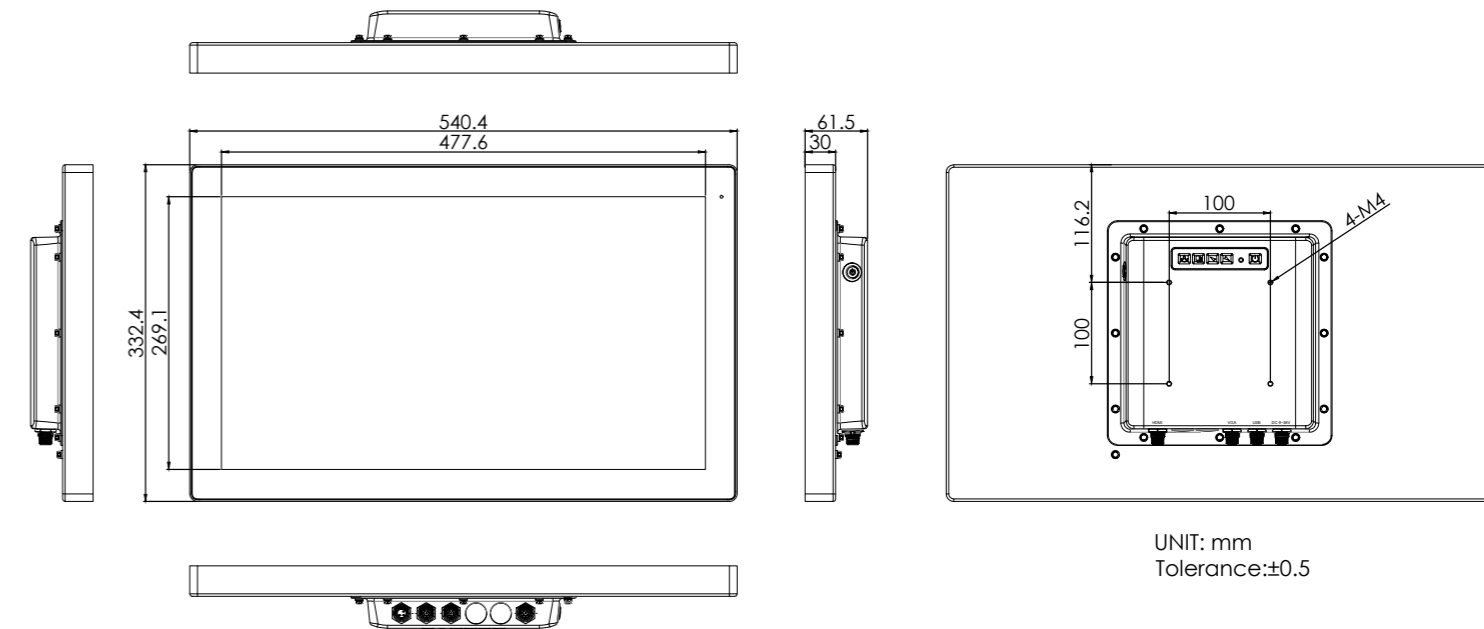
### Power

Power Input	DC 9~36V
Power Consumption	PhanTAM-121AP: 14.7W (MAX)

### Mechanical

Construction	304 Stainless steel chassis (default), 316 Stainless steel chassis (optional)
Mounting	VESA Mount 100 x 100, Swing ARM (optional)
IP Rating	Total IP66/IP69K
Dimensions	540.4 x 332.4 x 61.5 mm
Net Weight	7.6 kg

## Dimensions



### Environmental

Operating Temperature	0~50°C (WT1: -20°C~60°C for optional)
Storage Temperature	-30~70°C
Humidity	10 to 90% @ 40°C, non- condensing
Certificate	CE/FCC Class A

### Ordering Information

PhanTAM-121AP	21.5" FHD IP66/IP69K stainless steel display, VGA/HDMI input, OSD on the rear side, projected capacitive touch, 9~36V DC power input with Adapter
PhanTAM-121APH	21.5" FHD IP66/IP69K stainless steel display, VGA/HDMI input, OSD on the rear side, projected capacitive touch, 9~36V DC power input with Adapter, 1,000 nits LCD