

Noise sensor is a kind of digital and modular multi-function sound level meter. Using a digital signal processing chip and digital detection technology, has a high reliability, good stability, wide dynamic range, without range switching, etc. Can be widely applied to various machines, vehicles, ships, electrical appliances and other industrial noise measurement, can also be used for environmental noise measurement, labor protection, industrial hygiene.

FEATURES

- High Sensitivity
- Fast response
- Low consumption
- Excellent stability
- Long service life



APPLICATIONS

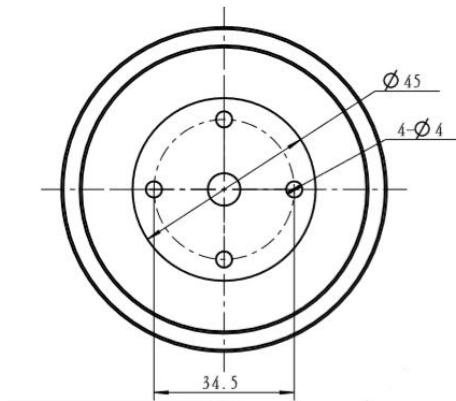
- Environment quality monitoring
- Smart home
- Warehousing
- Public place
- Labor protection
- Animal husbandry


TECHNICAL SPECIFICATION

Item	Technical Specification
Range	30-120dB
Accuracy	±1.5dB (2Khz80dB point correction)
Resolution	0.1dB
Frequency response	35Hz - 20kHz.
Frequency weighting	A
Supply	5VDC, 12VDC, 24VDC
Output	RS232, RS485
Response Time	<2s
Operating Temperature	-20°C~+60°C @ 10-90%RH
Storage	-20°C~+80°C @ 10-90%RH
Shell Material	metal

DIMENSION

Unit:mm






 Complies with applicable CE directives.

Specifications subject to change without notice. Version 3.0

Copyright © 2015 Hunan Rika Electronic Tech Co.,Ltd

Hunan Rika Electronic Tech Co., Ltd

Add: Building B5, Taskin, Yuhua District,
Changsha City, Hunan Province,
China

 +86-731-85132979
 info@rikasensor.com
 www.rikasensor.com