

## FEATURES

- High performance sensitive film
- Automatic temperature compensation
- PC and stainless steel housing
- Simple operation and high reliability
- No external module, a whole design
- NO<sub>3</sub><sup>-</sup> and temperature measurement at the same time
- Immersion in water or pipe installation



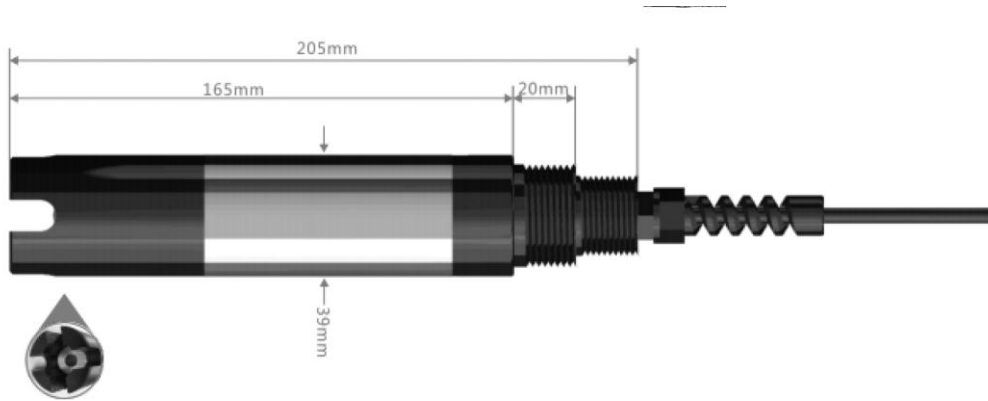
## APPLICATIONS

- Environmental protection
- Water quality monitoring
- Clean in place(CIP)
- Sewage treatment
- Industrial wastewater treatment

## TECHNICAL SPECIFICATION

| Item                     | Technical Specification                                |             |
|--------------------------|--|-------------|
|                          | NO <sub>3</sub> <sup>-</sup> (concentration)(2.5-11PH) | Temperature |
| Range                    | 0.1-14000ppm   | 0-50℃       |
| Accuracy                 | ±1%FS  | ±0.3℃       |
| Resolution               | 0.001ppm   | 0.1℃        |
| Supply                   | 5VDC,12VDC,24VDC                                       |             |
| Temperature compensation | 0-60℃  |             |
| Output                   | RS485 and 4-20mA at the same time                      |             |
| Pressure resistance      | 0-3bar   |             |
| Power consumption        | <0.4W  |             |
| Operating temperature    | 0-+80℃   |             |
| Probe material           | PC+316L  |             |
| Weight(probe)            | 0.5kg  |             |
| Ingress protection       | IP68   |             |
| Cable length             | 5m default,other length optional                       |             |
| Storage                  | 10-60℃@20%-90%RH                                       |             |

## DIMENSION



Complies with applicable CE directives.  
Specifications subject to change without notice. Version 1.0  
Copyright © 2015 Hunan Rika Electronic Tech Co.,Ltd

### Hunan Rika Electronic Tech Co., Ltd

Add: Building B5, Taskin, Yuhua District,  
Changsha City, Hunan Province,  
China



+86-731-85132979



info@rikasensor.com



www.rikasensor.com