

This rain gauge is installed outside or on the roof. When precipitation occurs, rain water accepted by the rain-bearing mouth is injected into the water bottle through the filter net. The effective volume of the water bottle is no more than 200mm of precipitation, and the minimum scale value on the bottle is 1mm of precipitation, which can be conveniently used for artificial observation of precipitation. After each precipitation, the rain-bearing port is first lifted from the outer cylinder, and then the water bottle is taken out. After observing the rainfall, water is poured out, and then the water bottle and the rain-bearing port are put into the outer cylinder in turn to be put into normal use.

## APPLICATIONS

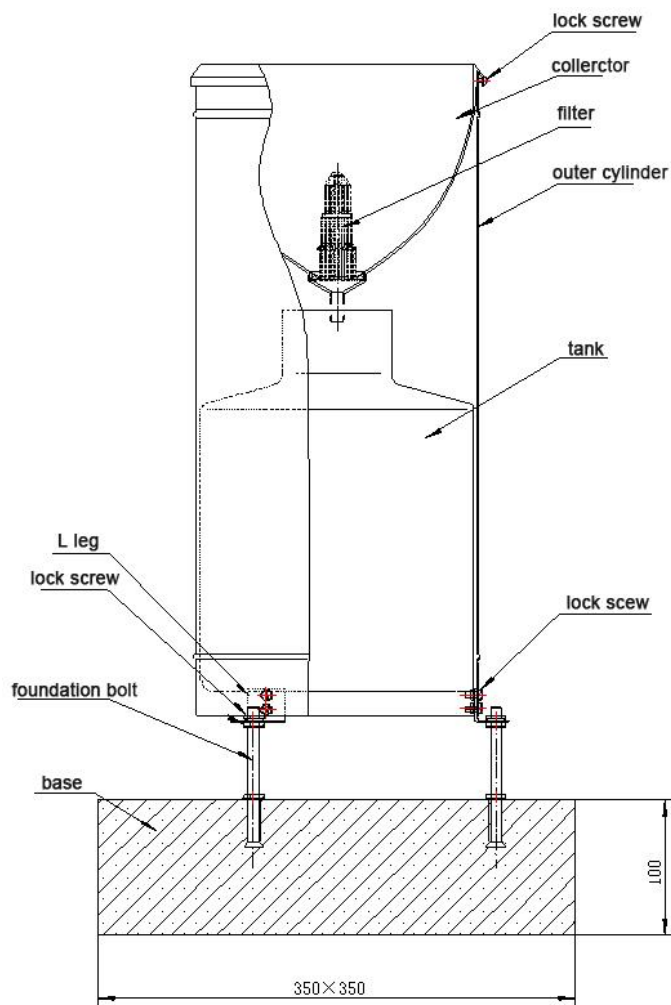
- Water supply system
- Hydrologic monitoring
- Natural disaster monitoring
- Agro-meteorological research
- Climate research

## SPECIFICATIONS

Item	Specification
Rainfall collector	Diameter : $\phi$ 200mm, blade Angle: 40-45°
Range	>200mm
Tank capacity	>7L
Resolution(minimum scale)	1mm
Operating temperature(no freeze)	-20-+70°C
Main material	Cylinder:304SS,tank:PC,
Weight(unpacked)	5kg



## INSTALLATION DIAGRAM



Complies with applicable CE directives.  
Specifications subject to change without notice. Version 3.0  
Copyright © 2015 Hunan Rika Electronic Tech Co.,Ltd

### Hunan Rika Electronic Tech Co., Ltd

Add: Building B5, Taskin, Yuhua District,  
Changsha City, Hunan Province,  
China



+86-731-85132979



info@rikasensor.com



www.rikasensor.com