



## I-7188E2(D)-MTCP

Palm-sized Programmable Modbus Gateway with 80188-40 CPU, Modbus Firmware (7-Segment LED Display)

### Features

- Incorporate Serial Devices in an Ethernet Network
- Supports Modbus TCP to RTU Gateway
- Built-in High Performance MiniOS7 from ICP DAS
- Easy-to-use Software Development Tool Kits (Using C language)
- Various Communication Interfaces
  - 10/100 Base-TX Ethernet
  - RS-232/RS-485
- 64-bit Hardware Serial Number
- I/O Expansion Bus Interface
- Build-in Watchdog Timer

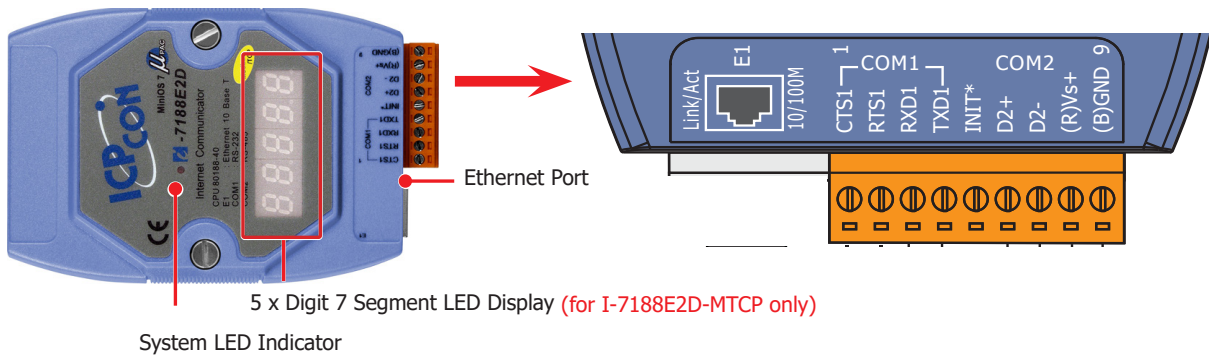


### Introduction

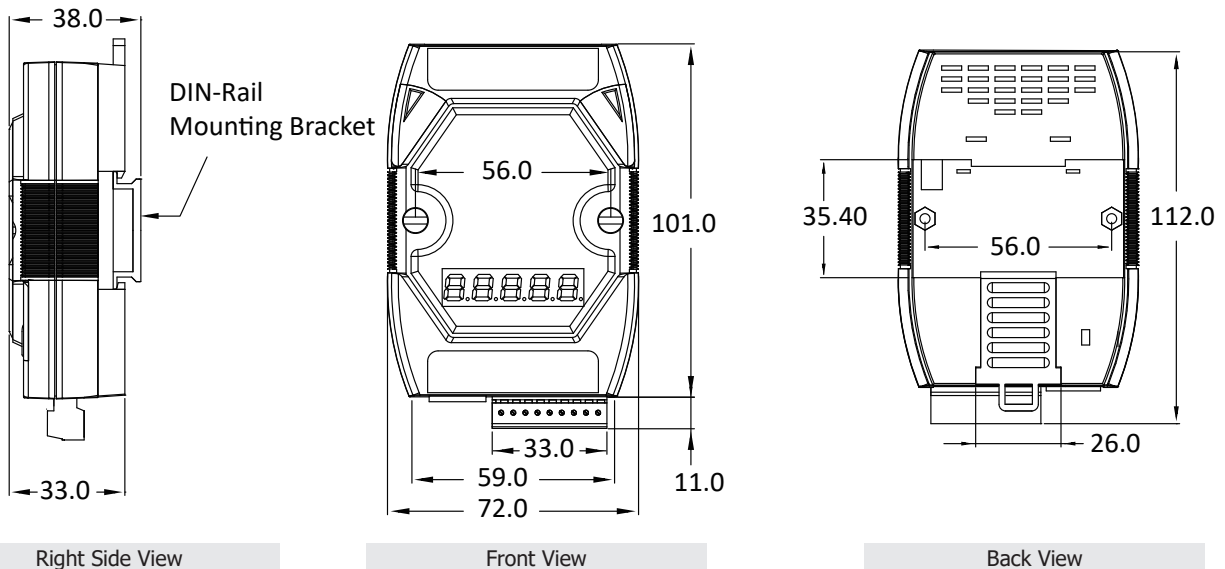
The I-7188E2(D)-MTCP is a family of Programmable Device Servers, also known as "Serial-to-Ethernet gateway", that are designed for linking RS-232/485 devices to an Ethernet network. The I-7188E2(D)-MTCP also works as a Modbus TCP to RTU gateway that supports most SCADA/HMI communications based on the Modbus TCP protocol.

ICP DAS provides easy-to-use software development tool kits (XServer, Modbus libraries). Users can use them to easily integrate serial devices to have Ethernet/Internet communication ability and through the standard Modbus protocol to communicate with SCADA software (Indusoft, ISaGARF, DasyLab, Trace Mode, Citect, iFix, etc.).

### Appearances



### Dimensions (Units: mm)



## Specifications

Model	I-7188E2-MTCP	I-7188E2D-MTCP
<b>Software</b>		
OS	MiniOS7	
Development	C Language	
<b>CPU Module</b>		
CPU	80188, 40 MHz or compatible	
SRAM	384 KB	
Flash	512 KB	
EEPROM	2 KB	
NVRAM	31 Bytes	
Watchdog Timer	Yes	
<b>Display</b>		
Type	-	5 x Digit 7 Segment LED Display
<b>LED Indicator</b>		
Status	1 x System	
<b>Communication Interface</b>		
Ethernet	1 x RJ-45, 10 BASE-T NE2000 compatible Ethernet	
COM1	RS-232 (TXD, RXD, RTS, CTS, GND), Non-isolated, Speed: 115200 bps Max.	
COM2	RS-485 (Data+, Data-) with internal self-tuner ASIC; Non-isolated, Speed: 115200 bps Max.	
<b>Mechanical</b>		
Dimension (W x H x D)	72 mm x 112 mm x 33 mm	
Installation	DIN-Rail Mounting	
<b>Environmental</b>		
Operating Temperature	-25 ~ +75 °C	
Storage Temperature	-40 ~ +80 °C	
Humidity	5 ~ 90 % RH, Non-condensing	
<b>Power</b>		
Input Range	+10 ~ +30 VDC	
Consumption	2.0 W	3.0 W

## Ordering Information

<b>I-7188E2-MTCP CR</b>	Palm-sized Programmable Modbus Gateway with 80188-40 CPU, Modbus Firmware and 384 KB SRAM (Blue Cover) (Blue Cover) (RoHS)
<b>I-7188E2D-MTCP CR</b>	Palm-sized Programmable Modbus Gateway with 80188-40 CPU, Modbus Firmware, 384 KB SRAM and 7-Segment LED Display (Blue Cover) (RoHS)
<b>I-7188E2D-MTCP-G CR</b>	Palm-sized Programmable Modbus Gateway with 80188-40 CPU, Modbus Firmware, 384 KB SRAM and 7-Segment LED Display (Gray Cover) (RoHS)