

Features

- 15" TFT-LCD
- Intel 6th Gen. Core i3/i5 Processor
- SUS 316 Stainless Steel
- Total IP66 Grade with M12 Waterproof Connector
- Variety of IO applications
- Wide range DC 9~36V Power Input
- Support Panel Mount & VESA Mount
- Support Projected Capacitive Touch
- Full Flat Bezel and Fanless Design
- ATEX/IECEX Zone2, Zone22 and C1D2/C2D2/C3 Certified

Specifications

| System | |
|----------------|---|
| CPU | Onboard 6th Gen Intel Core i3/i5 processor |
| System Chipset | SoC |
| Memory | 1 x 260-pin SO-DIMM up to 16GB DDR4 2133MHz |

| IO Port | |
|-------------------|---|
| USB | 1 x M12 8-pin for 2 x USB 2.0 with waterproof cover and chain |
| Serial / Parallel | 1 x M12 8-pin for COM1, RS-232/422/485, default RS-232, with waterproof cover and chain |
| LAN | 2 x M12 8-pin for LAN with waterproof cover and chain |
| Graph | 1 x M12 8-pin for VGA with waterproof cover and chain |
| Power | 1 x M12 3-pin for DC power connector with waterproof cover and chain |

| Storage Space | |
|---------------|--|
| HDD | 1 x 2.5" HDD or SSD space 1 x mSATA space |

| Expansion | |
|----------------|---------------------------|
| Expansion slot | 1 x Mini-PCIe (full size) |

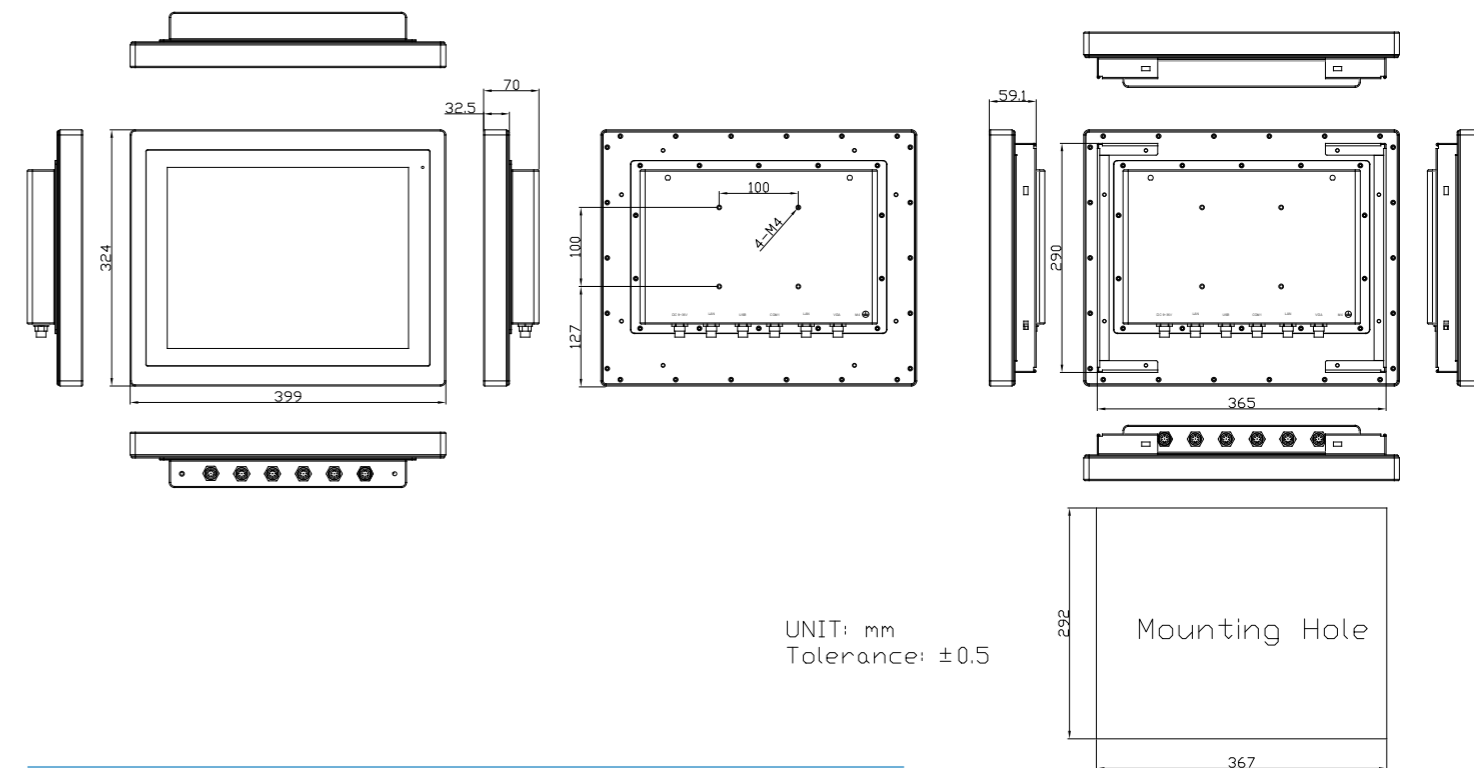
| Display | Standard | High Brightness Optional |
|--------------------------------|-----------------|--------------------------|
| Display Type | 15" TFT-LCD | 15" TFT-LCD |
| Max. Resolution | 1024 x 768 | 1024 x 768 |
| Max. Color | 16.2M | 262K |
| Luminance (cd/m ²) | 450 | 1000 |
| View Angle | 160(H) / 150(V) | 160(H) / 150(V) |
| Contrast | 800:1 | 800:1 |
| Backlight Lifetime | 70,000 hrs | 50,000 hrs |

| Touch Screen | |
|-----------------------|----------------------------|
| Type | Projected Capacitive Touch |
| Interface | USB |
| Light Transmission(%) | 90% |

| Power | |
|-------------------|----------------|
| Power Input | DC 9~36V |
| Power Consumption | AEx-915AP: 21W |

| Mechanical | |
|--------------|--|
| Construction | 316 stainless steel chassis |
| Mounting | VESA mount 100 x 100, Panel mount (option) |
| IP Rating | Total IP66 |
| Dimensions | 399 x 324 x 70 mm |
| Net Weight | 9.6 kg |

Dimensions



| Environmental | |
|-----------------------|--|
| Operating Temperature | -20~60°C |
| Storage Temperature | -30~70°C |
| Humidity | 10 to 95% @ 40°C, non- condensing |
| Safety | CSA C22.2 No.61010 |
| Certificate | CE / FCC Class A ATEX / IECEx Zone2 Ex ec ic IIC T4 Gc ATEX / IECEx Zone22 Ex tc IIIC T135°C Dc Class I, Division2, Group A,B,C,D,T4 Class II, Division2, Group F,G, T135°C Class III ANSI/ISA 12.12-01-2013 CSA Std., C22 No213-1987 |

| Operating System Support | |
|--------------------------|--|
| Windows embedded 7 | |
| Windows embedded 8.1 | |
| Windows 10 IoT ENT LTSC | |

| Ordering Information | |
|----------------------|--|
| AEX-915AP | 15" XGA IP66 Intel Core I5-6300U 2.4GHz, fan less panel PC, 1 x SO-DIMM(260pins), Up to 16G DDR4 2133MHz, 1 x 256GB 2.5" MLC SSD, 1 x 64GB mSATA MLC SSD, Projected capacitive touch, DC9~36V power input with power adapter, 316 stainless steel enclosure, support VESA Mount, WT-20~60 Accessory : 1 x M12 for 2 x USB2.0 Cable, 2 x M12 LAN cable, 1 x M12 COM Cable, 1 x VGA Cable, 1 x 3pin power input cable (w/o Adapter) |

| | |
|------------|---|
| AEX-915APH | 15" XGA HB1000nits IP66 Intel Core I5-6300U 2.4GHz, fan less panel PC, 1 x SO-DIMM(260pins), Up to 16G DDR4 2133MHz, 1 x 256GB 2.5" MLC SSD, 1 x 64GB mSATA MLC SSD, Projected capacitive touch, DC9~36V power input with power adapter, 316 stainless steel enclosure, support VESA Mount, WT-20~60 Accessory : 1 x M12 for 2 x USB2.0 Cable, 2 x M12 LAN cable, 1 x M12 COM Cable, 1 x VGA Cable, 1 x 3pin power input cable (w/o Adapter) |
|------------|---|