



ALM-06-WF

MP3 Alert module with Wi-Fi connection, 6-ch DI and 1-ch Relay Output

Introduction

The ALM-06-WF module features Wi-Fi connection complies with the IEEE802.11b/g/n standards. With the popularity of 802.11 network infrastructure, the module make an easy way to incorporate wireless connectivity into monitoring and control systems. It also supports Modbus TCP protocol and the network encryption configuration, which makes perfect integration to monitoring in SCADA software and HMI.

ALM-06-WF includes 6 channels Isolated DI, with 8 kinds of alarm modes, 1 channel Relay output & 1 Audio Line out. MP3 audio format (44.1kHz/128kbit/s is preferred), all files & config are stored in Micro SD (T-Flash).

System Specifications

Communication	
Interface	Wi-Fi 2.4G
Standard	IEEE 802.11 b/g/n
Encryption	WEP, WPA/WPA2-PSK
Mode	Access Point (AP) & Station (STA)
IP Configuration	DHCP Server (AP, 1 client), DHCP Client, Static IP (STA)
Service	TCP, Modbus TCP
LED Indicators	
Power/Status	One 2 colors LED, Blue for System status, Purple (Blue+Red) for Connective status/Locator
Isolation	
Intra-module Isolation, Field-to-Logic	3000 Vdc
Protection	
ESD (IEC 61000-4-2)	±8 kV Air for Random Point
EFT (IEC 61000-4-4)	±2 kV for Power
Waterproof(IEC 60529)	IP54 (Panel Mount Upright Position)
Power Requirements	
Powered from Connector	9 ~ 28 Vdc with Reverse Protection (Vin to GND)
Consumption	0.7 W Standby.
Mechanical	
Dimensions (W x L x H)	72 mm x 72 mm x 22 mm
Installation	Panel Mount/Wall Mount/DIN-Rail Mounting
Environment	
Operating Temperature	-20 ~ +75°C
Storage Temperature	-30 ~ +85°C
Humidity	10 ~ 85% RH, Non-condensing

Features

- Wi-Fi Interface
- Support AP (Access Point) and STA (Station) modes
- Modbus TCP protocol
- PC Utility, Android APP
- 6x DI, 1x Relay output
- MP3 Audio, external Line Out
- Support up to 64 audio files
- 8 Alarm modes
- 6 Single channel or 31 Binary + 1 single channel support



Applications

- Building Automation
- Security Automation
- Machine Automation
- Factory Automation
- Testing Equipment
- Guest/Visitor Bell
- Fire Alarm System

Software Utility

OS	Software
Windows	Utility
Android	APP

I/O Specifications

Digital Input	
Channels	6
Input Type	Dry Contact: Sink
Dry Contact Level	Off Voltage Level: Open On Voltage Level: Close to GND
Photo-Isolation	3750 VDC
Input Condition	Pulse Width must > 150 mSec or more
Digital Output	
Channels	1
Output Type	Form A Relay
Contact Rating	DC 50 V/100 mA

Audio & Storage

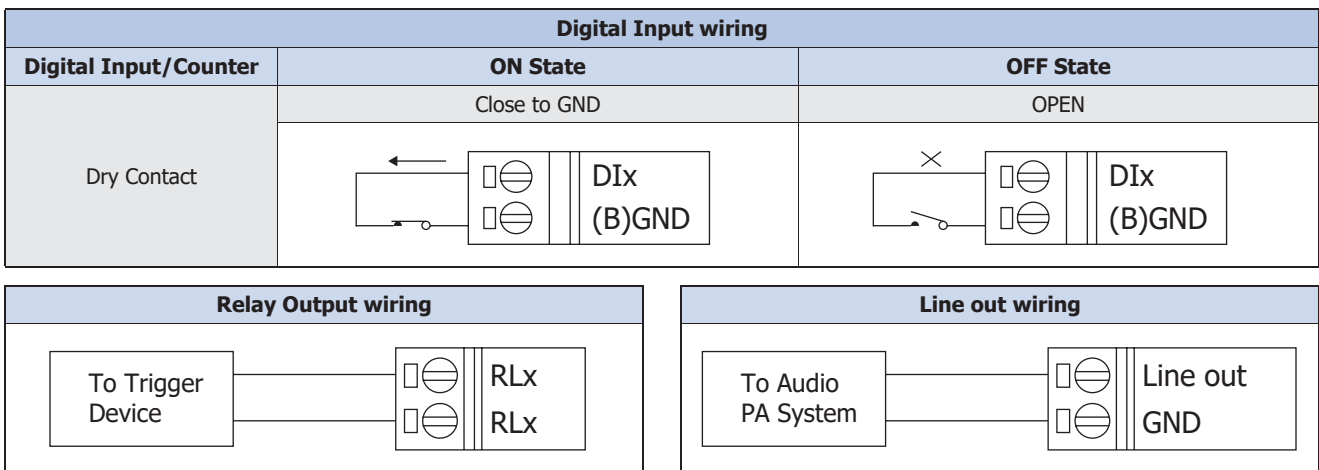
Audio	
Sound Pressure Level	99 dB @ 1 KHz/1meter
Volume Control	Digital Volume Control
Number of File	64 (Max)
Audio File Format	MPEG1-Audio Layer III (MP3)
Sample Rate	24/44.1 (prefer)/48 KHz
Bit Rate	32 64 96 128 (prefer) 160 192 kbit/s
Audio Startup Time	< 150 ms
Audio Output	3W (Max)
Line out Impedance	1KΩ
Storage	
Audio Files Locate	Micro SD (T-Flash) up to 32GB, bundle 4GB
Storage File System	Fat16/32
File Transfer	PC Utility through Wi-Fi

Pin Assignments

Terminal NO	Pin Name	Wire Color
1	DI1	Brown
2	DI2	Red
3	DI3	Orange
4	DI4	Yellow
5	DI5	Green
6	DI6	Blue
7	DI.GND	Gray
8	Vin	Red
9	Vin	Red
10	GND	Black
11	GND	Black
12	Line Out	Purple
13	RL	White
14	RL	White



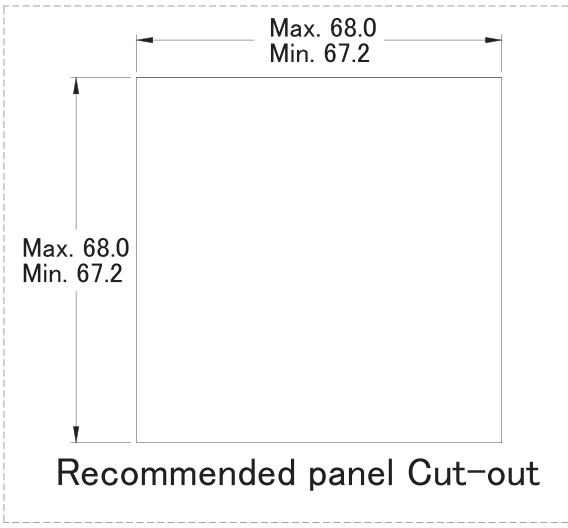
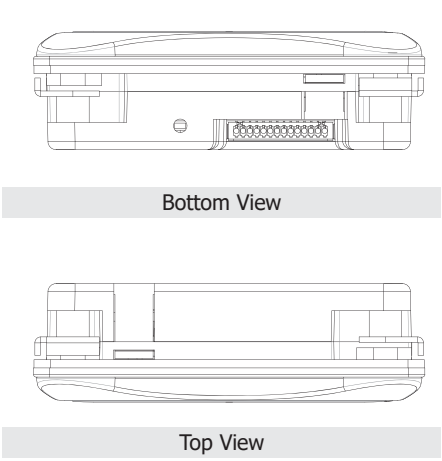
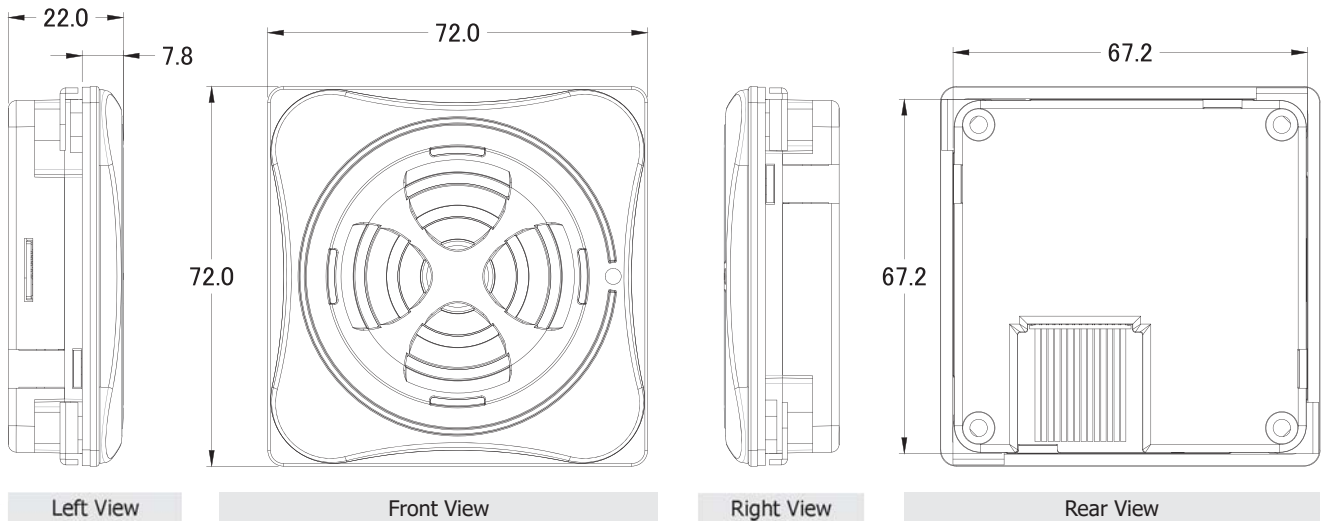
Wire Connections



Device Photo



■ Dimensions (Units: mm)



■ Ordering Information

ALM-06-WF CR	MP3 Alert module with Wi-Fi connection, 6-ch DI and 1-ch Relay Output. (RoHS) (Asia Only)
---------------------	---