

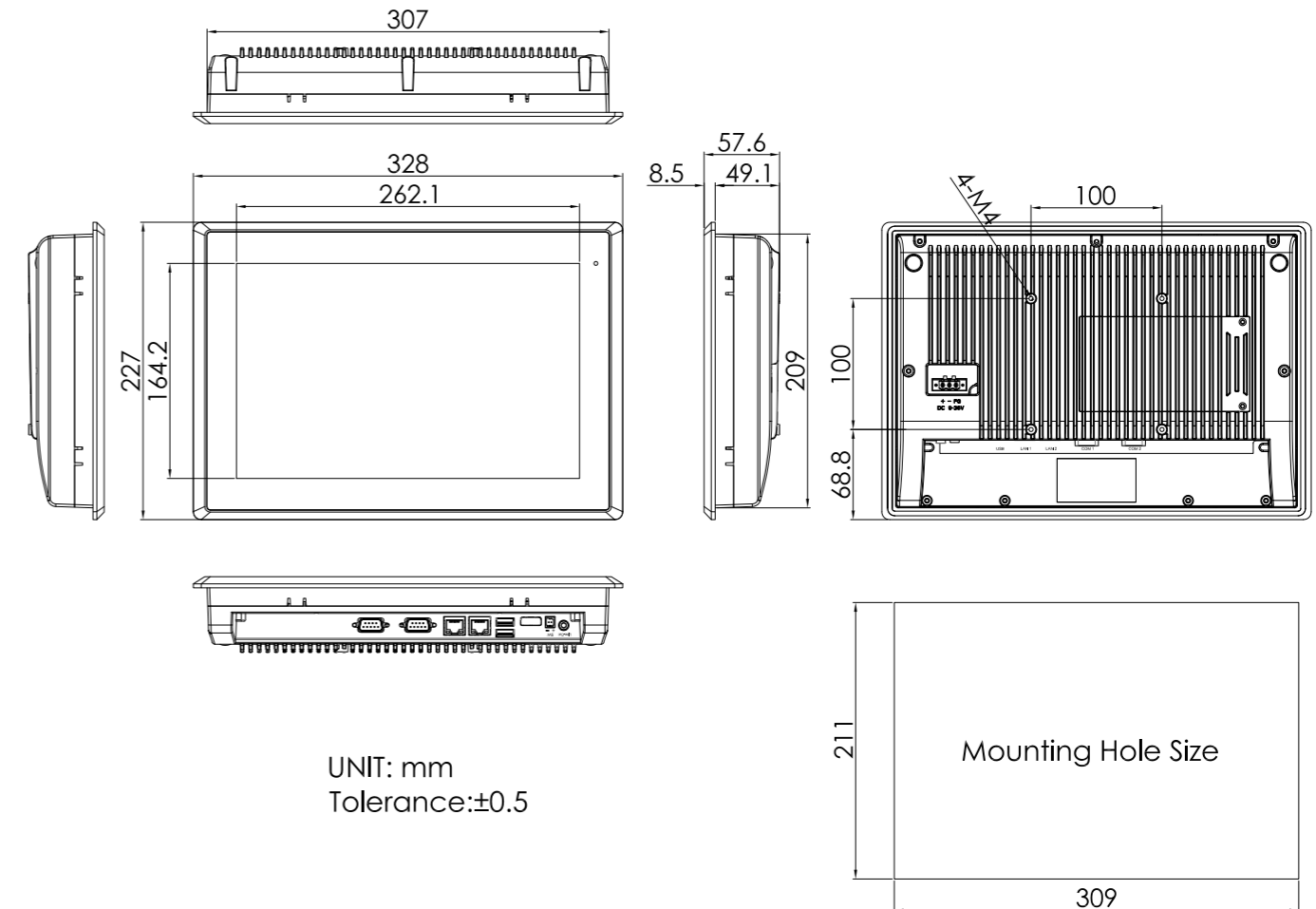
Features

- 12.1" Wide Industrial Compact Size Panel PC
- Intel Apollo Lake N4200/ N3350 (option)
- On Board 4GB/ 8GB DDR3L 1600MHz
- Flat Front Panel Touch Screen
- IP66 Compliant Front Panel
- Optional Projected Capacitive Touchscreen Support 7H Anti-scratch Surface
- DC 9~36V Wide-ranging Power Input
- High Brightness 1,000 nits for option

Specifications

System		
CPU	Intel Pentium N4200 Processor (2M Cache, 1.1GHz) / Celeron N3350 Processor (2M Cache, 1.1GHz)	
System Chipset	SoC	
Memory	Onboard 4GB DDR3L SDRAM, up to 8GB (option)	
I/O Port		
USB	2 x USB 3.0 type A	
Serial / Parallel	1 x RS-232/422/485 DB9 (COM1), default RS-232 1 x RS-232 DB9 (COM2)	
Audio	1 x Audio Line Out	
LAN	2 x GbE LAN RJ-45	
Power	1 x 3-pin Terminal Block Connector 1 x 2-pin Power Switch connector	
Option	VESA Stand 4G LTE/WiFi/ BT 4 x USB 2.0 type A (TB-528U4) 4 x USB 2.0 type A + 1 x Mini-PCle + 1 x SIM slot (TB-528U4ME1) 2 x COM (RS-232) (TB-528C2) 1 x COM (RS-232) + 2 x USB 2.0 (TB-528C1U2) 1 x COM (RS-232) + 2 x USB 2.0 + 1 x Power Button (TB-528C1U2P1) 2 x COM (RS-232) + 1 x Mini-PCle slot + 1 x SIM slot (TB-528C2ME1) 2 x COM (RS-422/485, isolated) (TB-528C2I) 2 x CAN (TB-528CAN2) 1 x LAN + 2 x USB 2.0 type A (TB-528E1U2) 1 x LAN(45W isolated PoE PD) + 2 x USB 2.0 type A (TB528E1U2UPOE)(TBD) Backup Battery 21W/10.8V/1.95Ah(3S1P) System is only allowed to build in either I/O board TB-528 series or backup battery	
Storage Space		
HDD	1 x 2.5" SATA3 HDD space	
Movable Device	1 x Micro SD card slot	
Expansion		
Onboard Expansion bus	1 x Mini-PCle slot (full size) 1 x Micro SIM slot	
Display		
Display Type	12.1" Wide TFT-LCD	12.1" Wide TFT-LCD
Max. Resolution	1280 x 800	1280 x 800
Max. Color	16.7M	16.7M
Luminance (cd/m ²)	600	1000
View Angle	170(H)/170(V)	176(H)/176(V)
Contrast	1000:1	700:1
Backlight Lifetime	50,000 hrs	50,000 hrs
Touch Screen		
Type	Resistive Touch (for AR Model) Projected Capacitive Touch (for AP Model)	
Interface	USB	
Light Transmission(%)	Resistive Touch: 80% Projected Capacitive Touch: 90%	

Dimensions



Power	
Power Input	DC 9~36V
Power Consumption	ARCHMI-812WA: 35W (MAX)

Mechanical	
Construction	Aluminum Die-casting Chassis
Mounting	Panel Mount, VESA 100 x 100
Dimensions (WxHxD)	328 x 227 x 57.6 mm
IP Rating	IP66 Compliant Front Bezel
Net Weight	3.1 kg

Environmental	
Operating Temperature	0~50°C / -20~60°C (option)
Storage Temperature	-30~70°C
Humidity	10 to 90% @ 40°C, non-condensing
Certificate	CE/FCC Class A/UL

Operating System Support	
Windows 10 IoT	

*PoE limitation: CPU turbo off, rear I/O no loading, 70% LED backlight, PSE cable length < 50m

