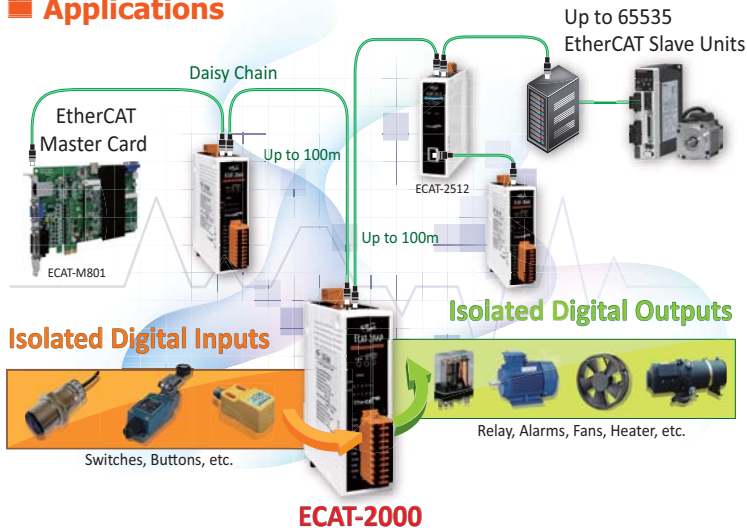
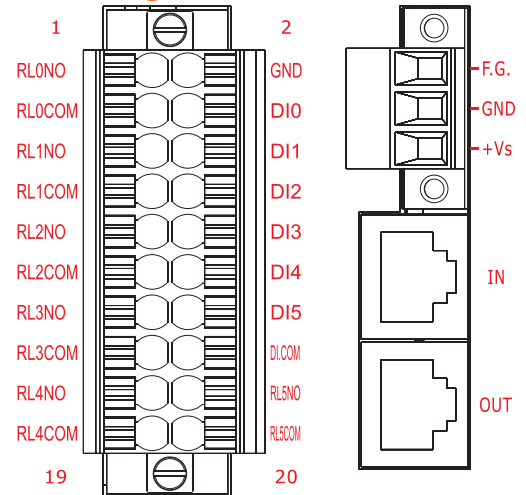


Applications



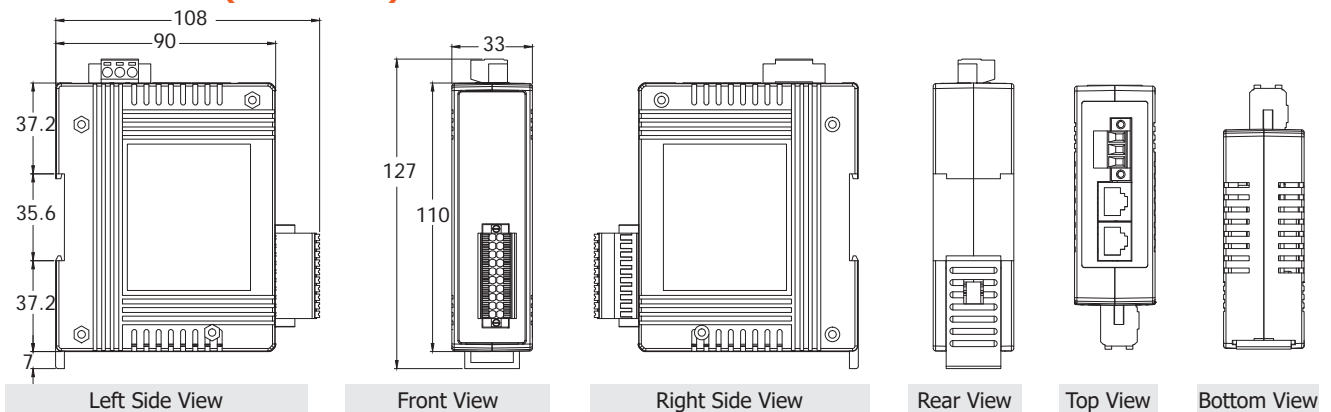
Pin Assignments



Wire Connections

Digital Input/Counter	Readback as 1 +10 ~ +50 Vdc	Readback as 0 OPEN or <4 Vdc
Sink		
Source		
Output Type	ON State Readback as 1	OFF State Readback as 0
Relay Output		

Dimensions (Units: mm)



Ordering Information

ECAT-2060 CR	EtherCAT Slave I/O Module with Isolated 6-channel DI and 6-channel Relay DO (RoHS)
---------------------	--