

EtherCAT



ECAT-2610

EtherCAT Slave to Modbus RTU Master Gateway

Features

- Powerful MCU handles efficient network traffic
- 2 x RJ-45 EtherCAT Connectors
- Integrate RS-232/422/485 serial device to EtherCAT
- Allows system integrators to retro-fit older automation devices into modern EtherCAT communication structures
- Requires no hardware or software changes to be made to the connected device
- Compatible with all PLCs with EtherCAT support
- Performs complete serial protocol conversion, no PLC function blocks required
- Supports maximum 256 WORD Input and 256 WORD Output Data
- Supports Serial Port interface
 - Supports Modbus RTU (Master) Protocol
 - Supports RS-232/422/485 Port
 - Supports Maximum Baud Rate 115200 bps



Introduction

Integrate your serial RS-232/422/485 based industrial devices and equipment to an EtherCAT control system without the need for any changes to the device. Just connect, configure and it's finished.

The ECAT-2610 Communicator is a proven and trusted protocol converter gateway that connects non-networked industrial devices and equipment to EtherCAT. The gateway performs an intelligent protocol conversion and presents the serial data to the Master PLC/Controller as easily processed I/O data.

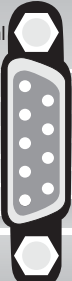
* EtherCAT® is registered trademark and patented technology, licensed by Beckhoff Automation GmbH, Germany.

Specifications

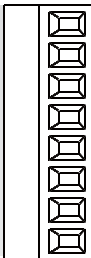
| COM Ports | |
|-----------------------------|--|
| Ports | 1 x RS-232/422/485 |
| Protocol | Modbus RTU (Master) |
| EtherCAT | |
| Ports | RJ-45 x 2 Distance between Stations: Max. 100 m (100BASE-TX) Data Transfer Medium: Ethernet/EtherCAT Cable (Min. CAT 5e) |
| Cycle Time | 10 ms |
| Distributed Clocks | N/A |
| Power | |
| Reverse Polarity Protection | Yes |
| Input Range | +12 VDC ~ +48 VDC |
| Consumption | 0.1 A @ 24 VDC |
| Mechanical | |
| Dimensions (W x L x H) | 33 mm x 127 mm x 99 mm |
| Installation | DIN-Rail |
| Casing | Plastic |
| Environmental | |
| Operating Temperature | -25 ~ +75 °C |
| Storage Temperature | -30 ~ +80 °C |
| Humidity | 10 ~ 90% RH, Non-condensing |

Pin Assignments

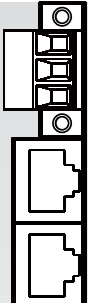
| COM1 (Console Port) | | | | |
|---------------------|----------|-----|----------------|--|
| Pin Assignment | Terminal | No. | Pin Assignment | |
| -- | 01 | 06 | -- | |
| RxD | 02 | 07 | -- | |
| TxD | 03 | 08 | -- | |
| -- | 04 | 09 | -- | |
| GND | 05 | | | |



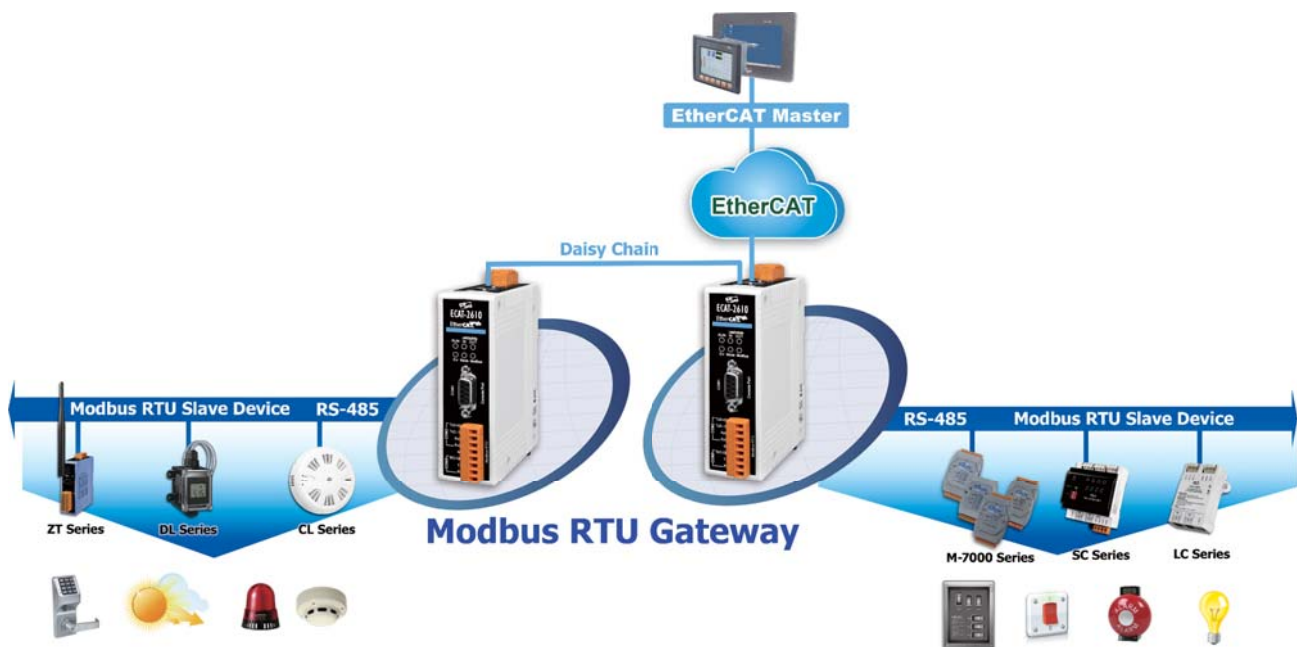
| COM2/COM3 (Modbus RTU) | | |
|------------------------|--|----------------|
| Terminal No. | | Pin Assignment |
| COM2 | | TxD+/D+ |
| | | TxD-/D- |
| | | RxD+ |
| | | RxD- |
| COM3 | | N/A |
| | | ISO.GND |
| | | TxD |
| | | RxD |



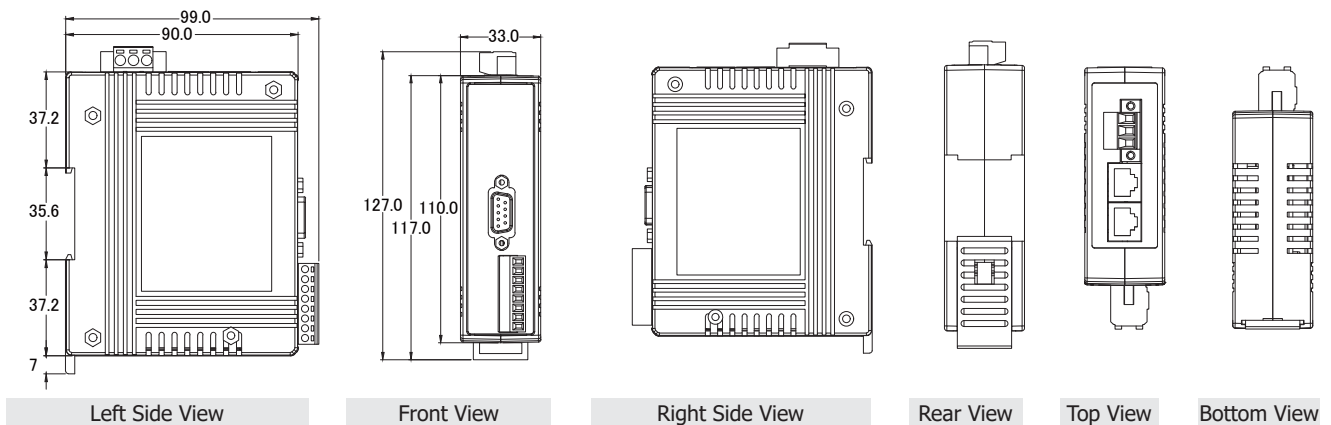
| EtherCAT Interface | |
|--------------------|----------------|
| Terminal No. | Pin Assignment |
| | F.G. |
| | GND(-) |
| | PWR(+) |
| | IN |
| | OUT |



Applications



Dimensions (Units: mm)



Ordering Information

| | |
|---------------------|--|
| ECAT-2610 CR | EtherCAT Slave to Modbus RTU Master Gateway (RoHS) Includes CA-0915 (DB9 Male to DB9 Female Cable, 1.5 M) |
|---------------------|--|