



## ET-7065

## PET-7065

Ethernet I/O Module with 6-channel PhotoMOS Relay,  
6-channel DI

### Features

- Built-in Web Server
- Web HMI
- Support for both Modbus TCP and Modbus UDP Protocols
- Communication Security
- Dual Watchdog
- I/O Pair Connection
- Built-in I/O
  - DI/Counter: 6 Channels
  - PhotoMOS Relay: 6 Channels



### Introduction

The ET-7065/PET-7065 provides 6 wet contact digital input channels and 6 form A PhotoMOS relays. It features optical isolation for 3000 Vrms of transient overvoltage protection and doesn't have channel-to-channel isolation. Each input channel can be used as a 32-bit counter. The power-on value and safe value of PhotoMOS relay are programmable. It can safely be used in applications where hazardous voltages are present.

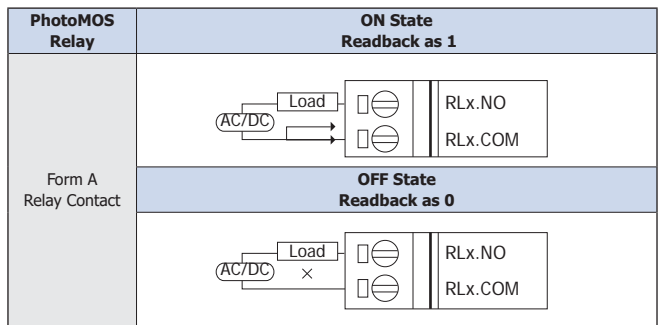
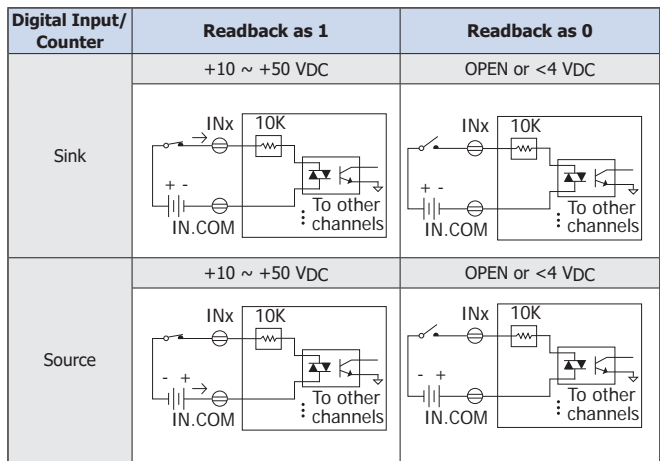
### System Specifications

Model	ET-7065	PET-7065
<b>Software</b>		
Built-in Web Server	Yes	
<b>CPU Module</b>		
Watchdog Timer	Module, Communication (Programmable)	
<b>2-Way Isolation</b>		
Ethernet	1500 Vdc	-
I/O	3000 Vrms	3000 Vrms
<b>EMS Protection</b>		
EFT (IEC 61000-4-4)	±2 kV for Power	
ESD (IEC 61000-4-2)	4 kV Contact for Each Terminal	
<b>LED Indicators</b>		
Status	Run, Link/Ac	Run, Ethernet, PoE
<b>Ethernet</b>		
Ports	1 x RJ-45, 10/100 Base-TX	
PoE	-	Yes
Security	ID, Password and IP Filter	
Protocol	Modbus TCP, Modbus UDP	
<b>Power</b>		
Reverse Polarity Protection	Yes	
Consumption	2.5 W (max.)	3.0 W (max.)
Powered from PoE	-	IEEE 802.3af, Class1
Powered from Terminal Block	+10 to +30 VDC	+12 to +48 VDC
<b>Mechanical</b>		
Dimensions (mm)	72 x 123 x 35 (W x L x H)	
Installation	DIN-Rail mounting	
<b>Environment</b>		
Operating Temperature	-25 to +75°C	
Storage Temperature	-30 to +80°C	
Humidity	10 to 90% RH, Non-condensing	

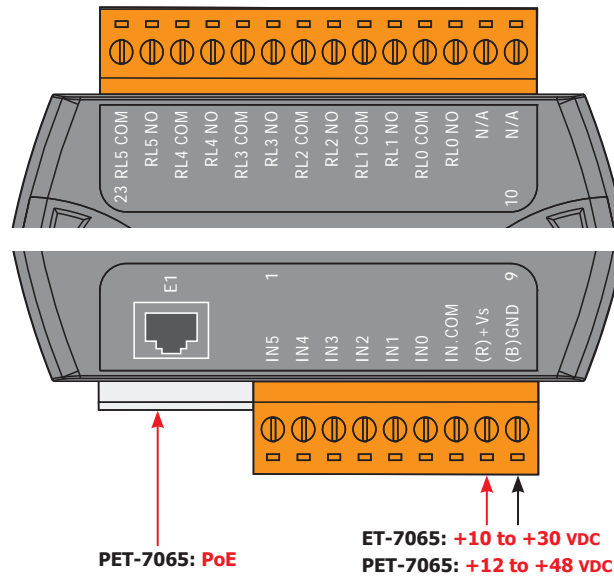
## I/O Specifications

Digital Input/Counter	
Channels	6
Type	Wet Contact
Sink/Source (NPN/PNP)	Sink/Source
ON Voltage Level	+10 to +50 VDC
OFF Voltage Level	+4 VDC (max.)
Max. Counts	4,294,967,295 (32-bit)
Frequency	500 Hz
Min. Pulse Width	1 ms
Input Impedance	10 kΩ
Overvoltage Protection	+70 VDC
Relay Output	
Channels	6
Type	PhotoMOS Relay, Form A
Contact Rating	60V/1.0A (Operating Temperature -25 to +40°C) 60V/0.8A (Operating Temperature +40 to +60°C) 60V/0.7A (Operating Temperature +60 to +75°C)
Leakage Current	1 μA
Operate Time	2.0 ms (max.)
Release Time	0.3 ms (max.)
Power on Value	Programmable
Safe Value	Programmable

## Wire Connections



## Pin Assignments



## Ordering Information

<b>ET-7065 CR</b>	Ethernet I/O Module with 6-channel PhotoMOS Relay, 6-channel Digital Input (RoHS)
<b>PET-7065 CR</b>	PoE Ethernet I/O Module with 6-channel PhotoMOS Relay, 6-channel Digital Input (RoHS)