



## I-7560/I-7560U

USB to RS-232 Converter

### Features

- Fully Compliant with the USB 1.1/2.0/3.0
- Transmission speed up to 921.6 kbps (For I-7560U)
- No External Power Supply required
- Operating Temperatures, -25 °C ~ +75 °C



### Introduction

The I-7560/I-7560U provides a Windows serial COM port via its USB connection and is compatible with new and legacy RS-232 devices. USB Plug-and-Play allows easy serial port expansion and requires no IRQ, DMA, or I/O port settings manually.

The I-7560/I-7560U features a full set of RS-232 modem data and control signals (TxD, RxD, RTS, CTS, DSR, DTR, DCD, RI and GND) on its PC compatible DB-9 male connector. It also features a high-speed 115200 bps transmission rate.

The I-7560/I-7560U is powered from the USB bus and no additional power supply is needed.

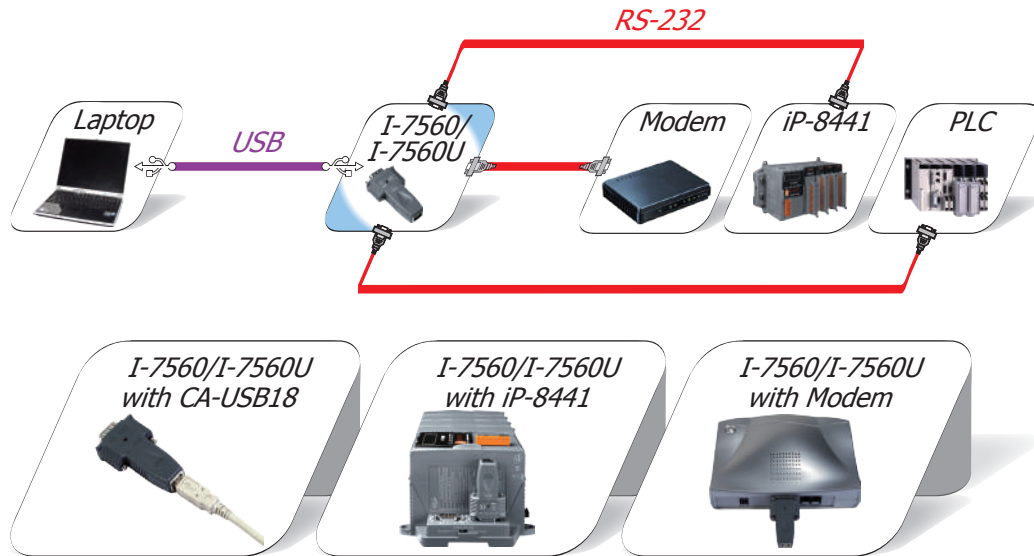
### Software

|                |                                                                                                       |
|----------------|-------------------------------------------------------------------------------------------------------|
| I-7560 Driver  | Windows 98/ME/2000/XP/Vista (32/64-bit)/7 (32/64-bit)/10 (64-bit)/Linux                               |
| I-7560U Driver | Windows 98/ME/2000/XP/Vista (32/64-bit)/7 (32/64-bit)/8 (32/64-bit)/8.1 (32/64-bit)/10 (64-bit)/Linux |

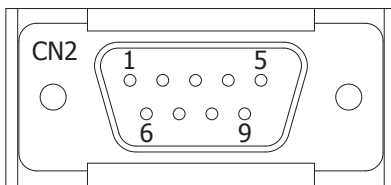
### System Specifications

| Models                 | I-7560                                                      | I-7560U          |
|------------------------|-------------------------------------------------------------|------------------|
| <b>Interface</b>       |                                                             |                  |
| USB                    | Fully Compliant with the USB 1.1/2.0/3.0                    |                  |
| RS-232                 | TxD, RxD, RTS, CTS, DSR, DTR, DCD, RI and GND; non-isolated |                  |
| Speed                  | 300 ~ 115200 bps                                            | 300 ~ 921.6 kbps |
| Connector              | RS-232                                                      | 9-Pin Male D-Sub |
|                        | USB                                                         | Type B           |
| Cable Included         | CA-USB18 (1.8 M Cable) x 1                                  |                  |
| <b>LED Indicators</b>  |                                                             |                  |
| Power                  | Yes                                                         |                  |
| <b>Power</b>           |                                                             |                  |
| Input Voltage Range    | +5 Vdc from USB                                             |                  |
| Power Consumption      | 0.3 W                                                       |                  |
| <b>Mechanical</b>      |                                                             |                  |
| Casing                 | Plastic                                                     |                  |
| Dimensions (W x L x H) | 33 mm x 15 mm x 60 mm                                       |                  |
| <b>Environment</b>     |                                                             |                  |
| Operating Temperature  | -25 °C ~ +75 °C                                             |                  |
| Storage Temperature    | -30 °C ~ +75 °C                                             |                  |
| Humidity               | 10 ~ 90% RH, non-condensing                                 |                  |

## Applications

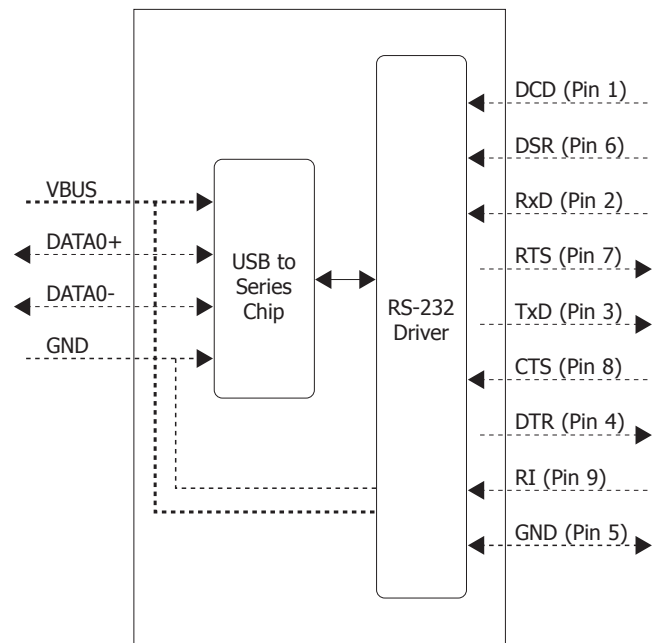


## Pin Assignments

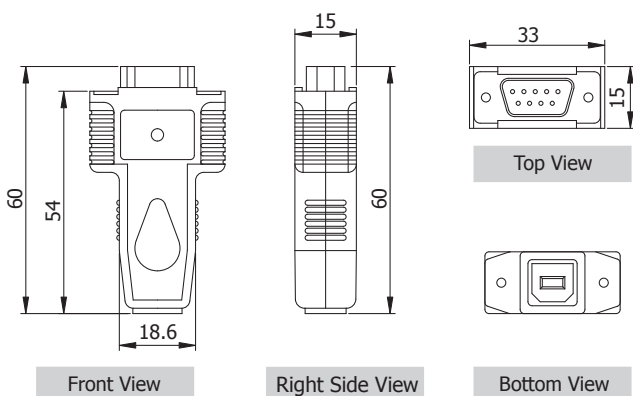


| Pin | Signal                  | Mode   |
|-----|-------------------------|--------|
| 01  | DCD Data Carrier Detect | Input  |
| 02  | RxD Receive Data        | Input  |
| 03  | TxD Transmit Data       | Output |
| 04  | DTR Data Term Ready     | Output |
| 05  | GND Ground              | --     |
| 06  | DSR Data Set Ready      | Input  |
| 07  | RTS Request To Send     | Output |
| 08  | CTS Clear To Send       | Input  |
| 09  | RI Ring Indicator       | Input  |

## Internal I/O Structure



## Dimensions (Units: mm)



## Ordering Information

|            |                                                                               |
|------------|-------------------------------------------------------------------------------|
| I-7560 CR  | USB to RS-232 Converter with CA-USB18 Cable (RoHS)                            |
| I-7560U CR | High-speed USB to RS-232 Converter with CA-USB18 Cable (Windows 8/8.1) (RoHS) |

## Accessories

|             |                                      |
|-------------|--------------------------------------|
| USB-2560 CR | 4-port Industrial USB 2.0 Hub (RoHS) |
|-------------|--------------------------------------|

