

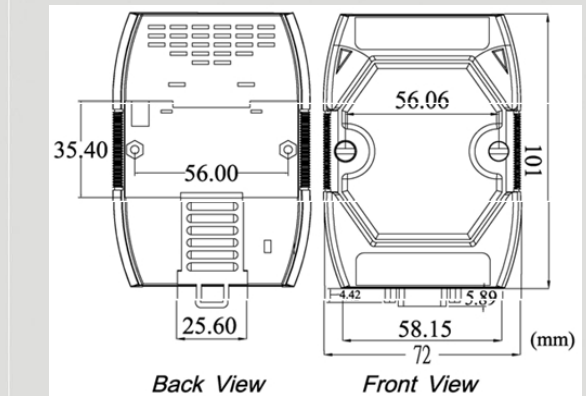


# CANopen Series Products

## USB to CANopen Master Converter



I-7565-CPM



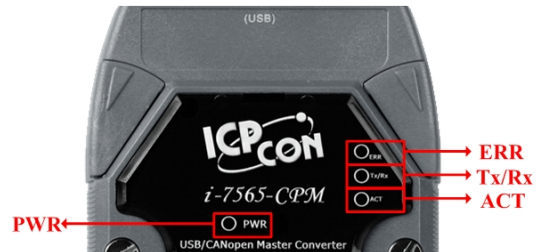
Dimensions

The I-7565-CPM was developed as a standardized CANopen network with highly flexible configuration capabilities. It is a CANopen master solution of USB interface, and has an 80 MHz 186 CPU inside. There is a CANopen protocol interpreter, I-7565-CPM firmware, running in the I-7565-CPM. User can use this converter to process the complex CANopen protocol without increasing the PC loading very much. The rich APIs of the I-7565-CPM library and easy-to-use utility tool can satisfy the requirements of variety and complex CANopen applications.

### Features

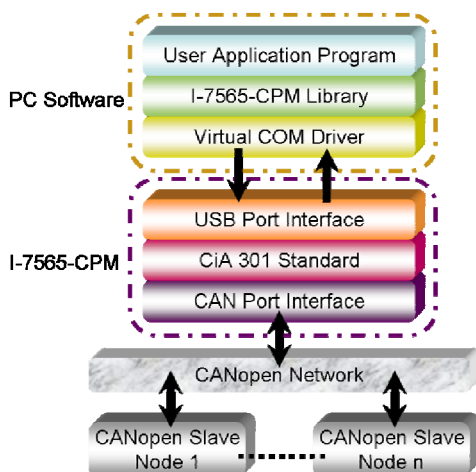
- NMT: Master
- CANopen Version: DS-301 v4.02
- Support EDS file
- Error Control: Node Guarding and Heartbeat protocol
- Allow EMCY receptions
- Provide dynamic PDO functions
- Support SYNC protocol
- Several transmission types of PDO are supported
- Support SDO download/upload segment protocol
- Provide CANopen standard baud rate
- PWR, ACT, ERR, and Tx/Rx LED indicator

### LED Indicators

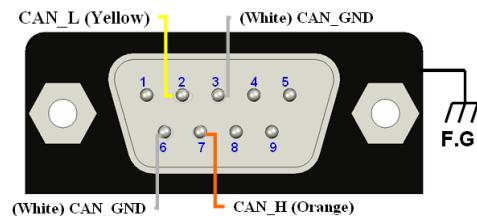


LED.	Description
PWR	Indicate power status
Tx/Rx	Indicate CAN messages transmission
ACT	Indicate firmware running status
ERR	Indicate the error status

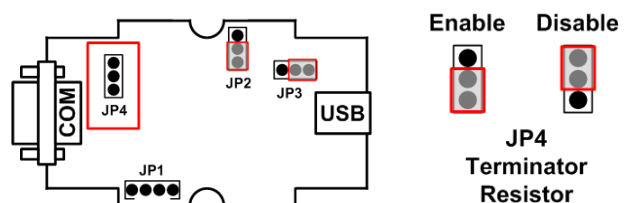
### Main Structure



### Pin Assignments



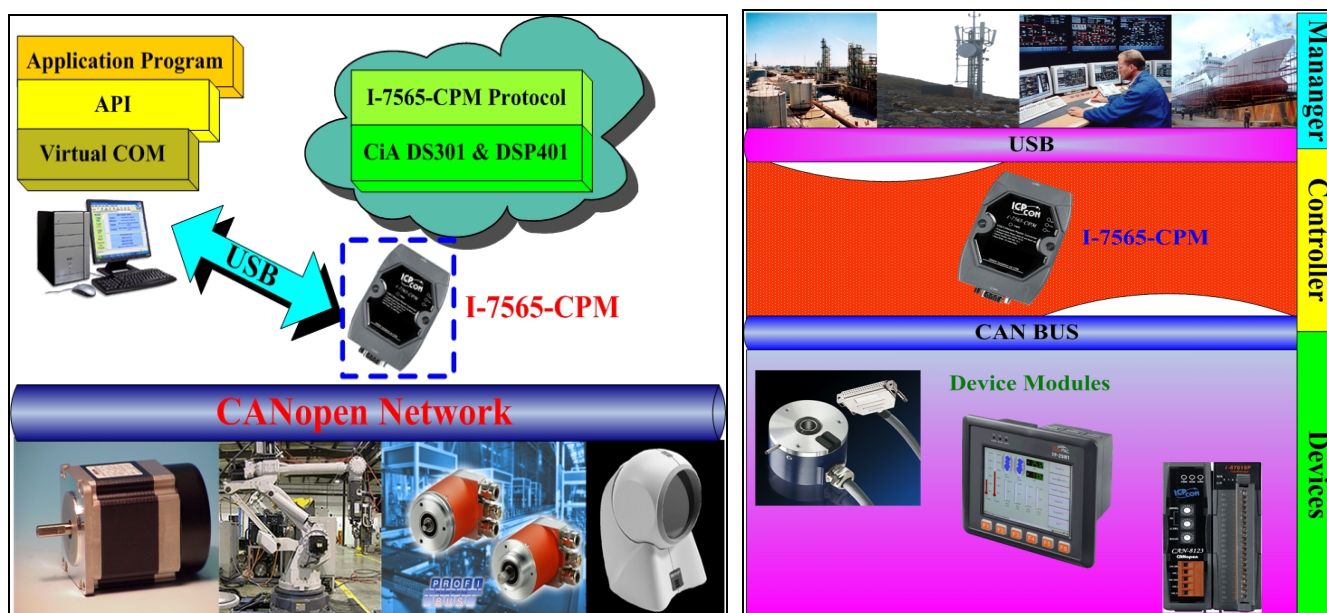
### Terminal Resistor Jumper



## Hardware Specifications

<b>Hardware</b>	
CPU	80186, 80MHz.
SRAM/Flash/EEPROM	512KB / 512KB /16KB
ESD Protection	2 kV class A and 3 kV class B
<b>CAN Interface</b>	
Controller	NXP SJA1000T CAN Controller
Transceiver	NXP 82C250 CAN Transceiver
Interface	ISO/IS 11898-2, 9-pin male D-Sub(GAN_GND, CAN_L, CAN_SHLD, CAN_H, CAN_V+, N/A for others)
Transfer Rate	Support 10K, 20K, 50K, 125K, 250K, 500K, 800K, 1M bps
Specific	Follow CiA DS-301 V4.02
<b>USB Interface</b>	
Connector	USB Type B
Transmission speed	921.6 kbps
<b>LED</b>	
Round LED	PWR LED, ACT LED, ERR LED, Tx/Rx LED.
<b>Software</b>	
Driver	Windows 98/ME/NT/2K/XP.
Library	VC++6.0, VB6, C#.net, VB.net
<b>Power</b>	
Power supply	By USB interface.
<b>Mechanism</b>	
Dimensions	72mm x 101mm x 33mm (W x L x H)
<b>Environment</b>	
Operating Temp.	-25 ~ +75 °C
Storage Temp.	-30 ~ +80 °C
Humidity	10 ~ 90% RH, non-condensing

## Applications



## Ordering Information

<b>I-7565-CPM</b>	USB to CANopen Master converter
-------------------	---------------------------------