



Main Features

- 6th generation Intel® Core™ i3-6100U SoC processor
- 1 x mini-DP and 1 x HDMI port
- USB 3.0 support
- WLAN support
- M.2 slot support for Wi-Fi and SSD
- Compact and fanless design

Product Overview

Powered by new generation Intel® Core™ i3-6100U SoC processor, NDiS B318-SI3 digital signage player can handle multi-media contents. With low power consumption feature, the 6th generation Intel® Core™ processors deliver up to two and a half times significant improvement in graphic performance, offering stunning visual capability for compelling 4K content creation and media playback. It supports display output by HDMI and mini-DP.

NDiS B318-SI3 is a high-performance player that can provide integration flexibility with various peripherals, such as touchscreen displays, scanners, readers, and so on. It is a ideal digital signage player which delivers enhanced performance and new immersive experiences for advertising, hospitality, and brand promotion applications.

Specifications

CPU Support

- Intel® Core™ i3-6100U SoC processor dual core 2.3GHz

Graphics

- Intel® HD520 graphics

Main Memory

- 2 x 204-pin SO-DIMM sockets, support DDR3L 1333/1600MHz non-ECC, un-buffered memory up to 16G

I/O Interface-Front

- 1 x Power switch
- 2 x USB 3.0
- 1 x Headset/phone jack

I/O Interface-Rear

- +19V DC-in
- 1 x HDMI 1.4, support 4096 x 2304 @ 24Hz
- 1 x mini-DP support 4096 x 2304 @ 60Hz
- 2 x USB 3.0
- 2 x Antenna hole
- 1 x RJ45, Realtek RTL8111H GbE controller, with LED for 10/100/1000bs Ethernet

I/O Interface-Right

- 1 x DB9 for RS232

Storage

- 1 x 2.5" HDD/SSD

Dimensions

- 155mm (W) x 109mm (D) x 37mm (H), w/o mounting bracket

Construction

- Top cover made by aluminum for main heat exchange

Power Supply

- 1 x External 65W AC/DC adapter
- Input: 100~240VAC
- Output: +19V

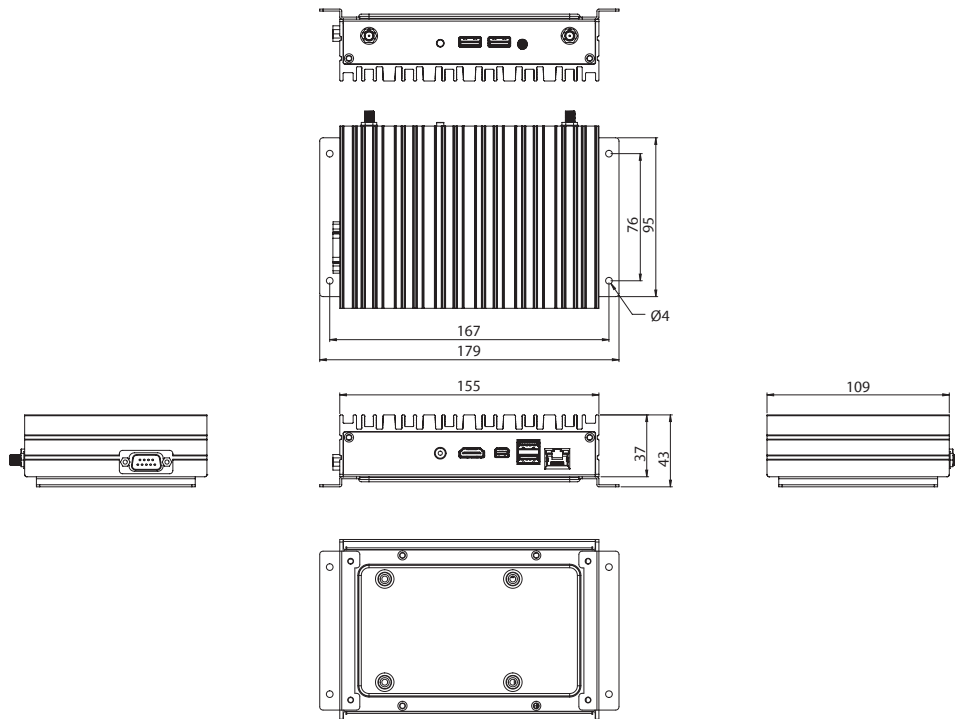
Expansion

- 1 x NGFF (M.2) Key E for optional 2230 WLAN module

Environment

- Operating temperature: 0°C to 40°C
- Storage temperature: -20°C to 80°C
- Humidity: 10 to 90% (non-condensing)

Dimension Drawing



Certification

- CE approval

Operating System

- Win7/Win10/WES7/Linux

Ordering Information

- **NDiS B318-SI3 (P/N: 10W00B31800X0)**
Intel® Core™ i3-6100U Dual Core fanless system