



## PDS(M)-755(D) PPDS(M)-755(D)-MTCP

Programmable (1x RS-232 and 4x RS-485)  
Serial-to-Ethernet Device Server

### Features

- Incorporate Serial Devices in an Ethernet network
- "Virtual COM" Extend COM Ports
- Virtual COM supports 32-bit and 64-bit Windows 7 SP1/10/2012/2016
- Supports Modbus TCP to RTU/ASCII Gateway
- Powerful Programmable Device Server
- Watchdog Timer suitable for use in harsh environments
- Serial Port +/- 4 kV ESD Protection Circuit
- Self-Tuner ASIC Controller on the RS-485 Port
- Built-in High Performance MiniOS7 from ICP DAS
- Palm-Sized with multiple Serial Ports



### Introduction

The PDS-700 series is a family of Programmable Device Servers, also known as "Serial-to-Ethernet gateway", that are designed for linking RS-232/422/485 devices to an Ethernet network. The user-friendly VxComm Driver/Utility allows users to easily turn the built-in COM ports of the PDS-700 series into standard COM ports on a PC. By virtue of its protocol independence, a small-core OS and high flexibility, the PDS-700 series is able to meet the demands of every network-enabled application.

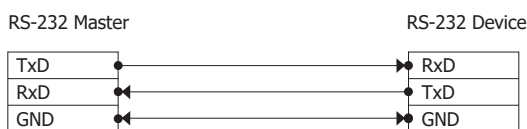
The PDS-700 series includes a powerful and reliable Xserver programming structure that allows you to design your robust Ethernet applications in one day. The built-in, high-performance MiniOS7 boots the PDS-700 up in just one second and gives you fastest responses. It also works as a Modbus TCP to RTU/ASCII gateway that supports most SCADA/HMI communications based on the Modbus/TCP protocol.

The PPDS-700-MTCP series features true IEEE 802.3af-compliant (classification, Class 1) Power over Ethernet (PoE) using a standard category 5 Ethernet cable to receive power from a PoE switch like the NS-205PSE. The PDSM-700 is the PDS-700 with Metal Case (RoHS) and the PPDSM-700-MTCP is the PPDS-700-MTCP with Metal Case (RoHS). Metal Case version includes stronger protection than PDS-700 and PPDS-700-MTCP.

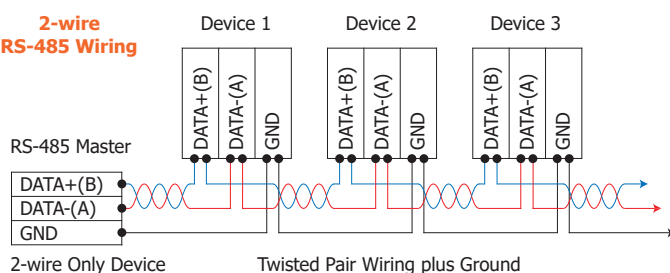
The PDS(M)-755(D) and PPDS(M)-755(D)-MTCP is equipped with 1 RS-232 port and 4 RS-485 ports. The removable on-board terminal block connector is designed for easy and robust wiring in industrial situations.

### Wiring

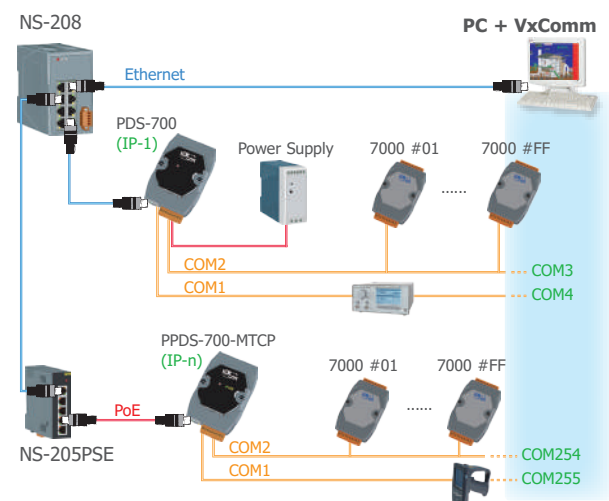
#### 3-wire RS-232 Wiring



#### 2-wire RS-485 Wiring



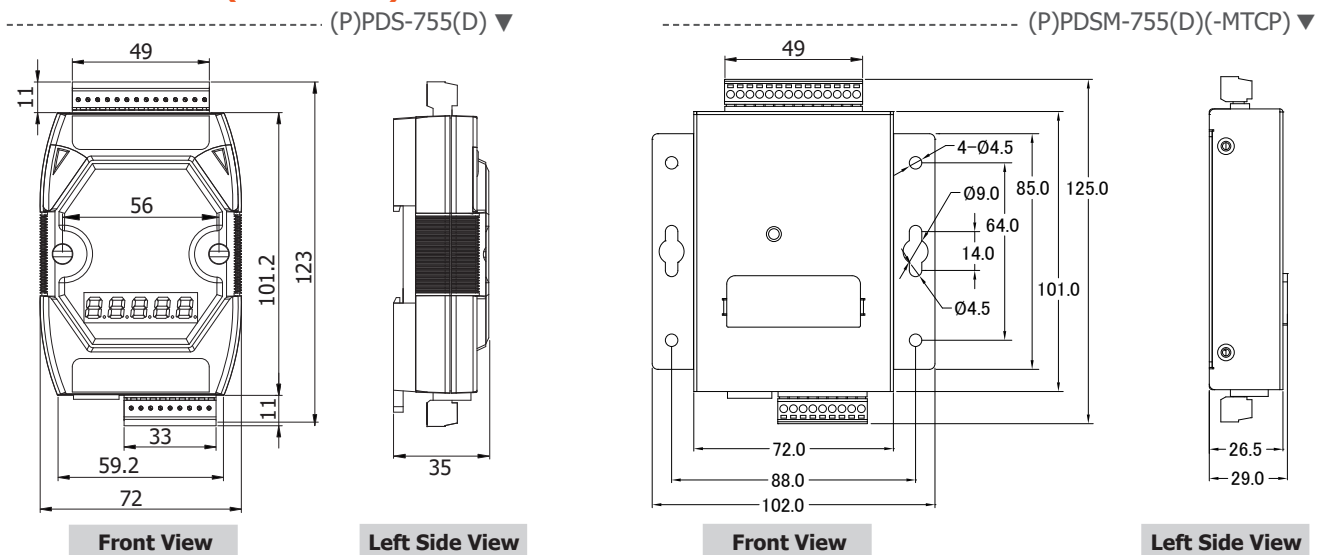
### Applications



## System Specifications

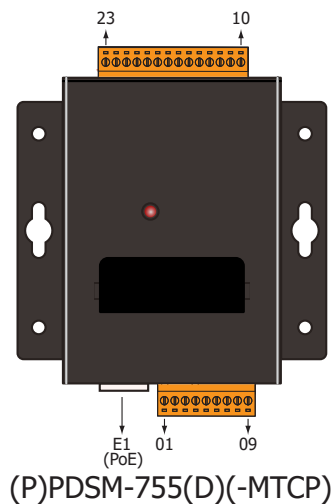
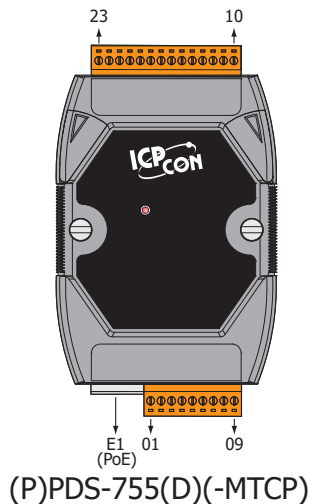
Models	PDS-755 PDSM-755	PDS-755D PDSM-755D	PPDS-755-MTCP PPDSM-755-MTCP	PPDS-755D-MTCP PPDSM-755D-MTCP
<b>CPU</b>				
CPU	80186, 80 MHz or compatible			
SRAM	512 KB			
Flash Memory	Flash ROM: 512 KB; Erase unit is one sector (64 KB); 100,000 erase/write cycles			
EEPROM	16 KB; Data retention: 40 years; 1,000,000 erase/write cycles			
Built-in Watchdog Timer	Yes			
<b>Communication Interface</b>				
Non-isolated	COM1	RS-232 (TxD, RxD, RTS, CTS, GND)		
	COM2	RS-485 (D2+, D2-, GND)		
	COM3	RS-485 (DATA+, DATA-, GND)		
	COM4	RS-485 (DATA+, DATA-, GND)		
	COM5	RS-485 (DATA+, DATA-, GND)		
Ethernet	10/100 Base-TX, RJ-45 port (Auto-negotiating, auto MDI/MDI-X, LED indicator)			
PoE	-	IEEE 802.3af		
<b>COM Port Formats</b>				
Data Bit	7, 8: for COM1 and COM2 · 5, 6, 7, 8: for COM3 and COM5			
Parity	None, Even, Odd, Mark, Space None parity is required when using 8 data bits and 2 stop bits on COM1/COM2.			
Stop Bit	1, 2: for COM1 ~ COM5			
Baud Rate	115200 bps max.			
<b>LED Indicators</b>				
5-digit 7 Segment	-	Yes	-	Yes
System	Red			
PoE	-	Green		
<b>Power</b>				
Protection	Power Reverse Polarity Protection			
Required Supply Voltage	+10 Vdc ~ +30 Vdc		PoE or +12 Vdc ~ +48 Vdc	
Power Consumption	2.0 W	2.7 W	2.2 W	2.9 W
<b>Mechanical</b>				
Flammability	Fire Retardant Materials (UL94-V0 Level)			
Dimensions (W x L x H)	(P)PDS: 72 mm x 35 mm x 123 mm · (P)PDSM: 102 mm x 29 mm x 125 mm			
Installation	DIN-Rail or Wall mounting			
Casing	Metal for PDSM/PPDSM · Plastic for other			
<b>Environment</b>				
Operating Temperature	-25 °C ~ +75 °C			
Storage Temperature	-40 °C ~ +80 °C			
Humidity	5 ~ 90% RH, non-condensing			

## Dimensions (Units: mm)



## Pin Assignments

Terminal No.	Pin Assignment
E1	Link/Act 10/100M
COM1	01 CTS1 02 RTS1 03 Rx/D1 04 Tx/D1 05 INIT*
COM2	06 D2+ 07 D2- 08 (R)+Vs 09 (B)GND



Terminal No.	Pin Assignment
COM5	23 DATA+ 22 DATA- 21 -- 20 -- 19 -- 18 --
COM4	17 DATA+ 16 DATA- 15 -- 14 -- 13 -- 12 --
COM3	11 DATA+ 10 DATA-

## Ordering Information

PDS-755 CR	Programmable (1x RS-232 and 4x RS-485) Serial-to-Ethernet Device Server (RoHS) Includes CA-0910 Cable
PDS-755D CR	Programmable (1x RS-232 and 4x RS-485) Serial-to-Ethernet Device Server and LED Display (RoHS) Includes CA-0910 Cable
PPDS-755-MTCP CR	Programmable (1x RS-232 and 4x RS-485) Serial-to-Ethernet Device Server, PoE and Modbus Gateway (RoHS) Includes CA-0910 Cable
PPDS-755D-MTCP CR	Programmable (1x RS-232 and 4x RS-485) Serial-to-Ethernet Device Server, PoE, Modbus Gateway and LED Display (RoHS) Includes CA-0910 Cable
PDSM-755 CR	Programmable (1x RS-232 and 4x RS-485) Serial-to-Ethernet Device Server (Metal Case) (RoHS) Includes CA-0910 Cable
PDSM-755D CR	Programmable (1x RS-232 and 4x RS-485) Serial-to-Ethernet Device Server and LED Display (Metal Case) (RoHS) Includes CA-0910 Cable
PPDSM-755-MTCP CR	Programmable (1x RS-232 and 4x RS-485) Serial-to-Ethernet Device Server, PoE and Modbus Gateway (Metal Case) (RoHS) Includes CA-0910 Cable
PPDSM-755D-MTCP CR	Programmable (1x RS-232 and 4x RS-485) Serial-to-Ethernet Device Server, PoE, Modbus Gateway and LED Display (Metal Case) (RoHS) Includes CA-0910 Cable

## Accessories

CA-0903 CR	DB9 Female to 5-wire Cable [RS-232], 30cm (RoHS)
NS-205 CR	Unmanaged 5-port Industrial Ethernet Switch (RoHS)
NS-205PSE CR	Unmanaged 5-port 10/100 Mbps PoE (PSE) Ethernet Switch (RoHS)