

Tag



WLS-T02

Introduction

WLS-T02 is a 2.4GHz wireless transmitter (called Tag) by battery supported, it can broadcast automatically 2.4GHz wireless location packages to WLS-R01. WLS-T02's wireless frequency use ISM 2.4GHz global common frequency band total have 16 channels, the range of 16 channels are 2.405GHz to 2.48GHz, it can separated into 5MHz segments, and WLS-T01 supports 16 sectors of RF power setting. The user can use the button to adjust the above settings.

In addition, WLS-T02 supports a buzzer, low battery power indicator, and built in Node ID, 3dBi directional PCB antenna and other user-friendly design can effectively reducing the size for the user to hook it on an equipment, and users can remote enabling the buzz function to find the equipment quickly.

The wireless transmission range (line of sight, LOS) of WLS-T02 is 100 meters, and WLS-T02 uses low power consumption design architecture, when the user installs a CR-123A battery (3.0 VDC) and the wireless transmission interval is 3 seconds, operating temperature in +20°C to +60°C, the use of time can be up to 1 years, if battery will low power, the user can change the new battery by himself, so WLS-T02 very suitable for use in item tracking, personnel movements in hazardous areas, factory regional management and other applications.

Appearance



Features

- Supports 16 segments setting of RF channels
- Supports 16 segments setting of RF power
- Built in a buzzer and supports remote enabling buzz function
- Built in battery low power LED indicator
- Built in 2.4GHz 3dBi PCB directional antenna
- ISM 2.4GHz operating frequency
- Direct Sequence Spread Spectrum (DSSS) RF technology
- Wireless transmission range up to 100 m (Line of Sight)
- Low power consumption design
(1 pcs CR123A battery, when operating temperature from +20°C~+60°C, it can be used 1 years)



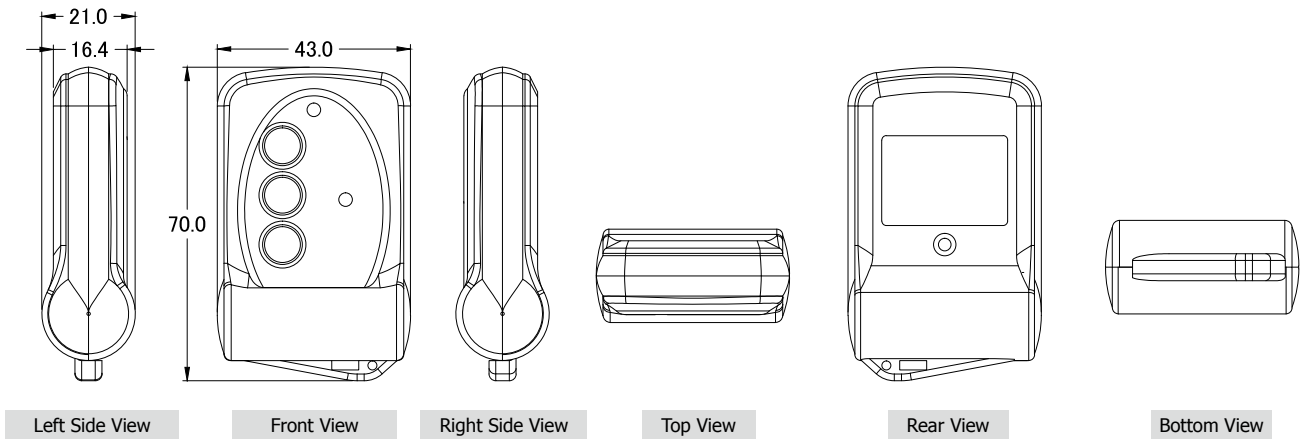
Specifications

Wireless	
Modulation	OQPSK (Offset Quadrature Phase-shift Keying)
Spread Spectrum	DSSS (Direct-Sequence Spread Spectrum)
RF Channels	16
Transmission Power	16±1dBm (Default) / 17dBm (Max.)
Wireless frequency	2.4GHz
Antenna	2.4GHz-3dBi PCB Directional Antenna
Transmission Range (Line of Sight, LOS)	100 m (Typical)
Hardware	
Key configuration	Key of disable buzz x 2, buzzer x 1
Buzzer volume	55dB@10cm
LED Indicators	
Pressing the button	1 LED, Green
Buzz / Low battery power	1 LED, Red
EMS Protection	
ESD	±4 kV Contact for Screw
EFT (IEC 61000-4-4)	±4 kV for Power
Power	
Required Supply Voltage	+2.6 VDC ~ +3.6 Vdc
Battery Input	1 x CR123A (3.0 VDC)
Power Consumption	(1.) Buzzer no buzz: 267uW@3VDC / 2.13mAh@1 Day (3 second Tx interval) (2.) Buzzer buzz: 90mW@3VDC / 30mAh@1 hour (3 second Tx interval, and 1 second buzz interval)
Mechanical	
Dimensions (L x W x H, mm)	70mm x 43mm x 21mm
Installation	Hook
Environment	
Operating Temperature	-25 ~ +70°C (No battery included) -25 ~ +60°C (Battery included)
Storage Temperature	-30 ~ +80°C (No battery included) -20 ~ +45°C (Battery included)
Relative Humidity	45~ 85% RH (Non-condensing, No battery included) 20 ~ 65% RH (Non-condensing, Battery included)

Applications



Dimensions (Units: mm)



Ordering Information

WLS-T02 CR	Wireless Location System Transmitter (RoHs)
Important Note: The transmitter of wireless location system be used together with the receiver and the converter, please refer to WLS-R01 and RFU-400.	

Accessories

WLS-R01 CR	Wireless Locating System Receiver (RoHs)
WLS-CFG CR	Wireless Location System Configurator (RoHs)
RFU-400 CR	RS-232 / RS-485 to 429 MHz Radio Modem (RoHS)
Lithium batteries (CR123A)	Voltage 3.0V, Capacity 1700mAh (Disposable non-rechargeable lithium battery)