

Tag



WLS-T11

Features

- Supports the button help function
- Supports 16 segments setting of RF channels
- Supports 16 segments setting of RF power
- Built in battery low power LED indicator
- Built in 2.4GHz 3dBi PCB directional antenna
- ISM 2.4GHz operating frequency
- Direct Sequence Spread Spectrum (DSSS) RF technology
- Wireless transmission range up to 50 m (Line of Sight)
- Built-in chargeable Li-ion battery
- Battery charge cycle: 30 days (3 second Tx Interval)



Introduction

WLS-T11 is a 2.4GHz wireless transmitter (called Tag) by battery supported, it can broadcast automatically 2.4GHz wireless location packages to WLS-R01. WLS-T11's wireless frequency use ISM 2.4GHz global common frequency band which have 16 channels between 2.405GHz and 2.48GHz. it can separated into 5MHz segments, and WLS-T11 supports 16 sectors of RF power setting. The user can use the button to adjust the above settings.

In addition, WLS-T11 supports help button, low battery power indicator, and built in Node ID, 3dBi directional PCB antenna and other user-friendly design can effectively reducing the size for the user to carry it. The user can also send a distress signal in an emergency situation, and let people know his relative position to support him.

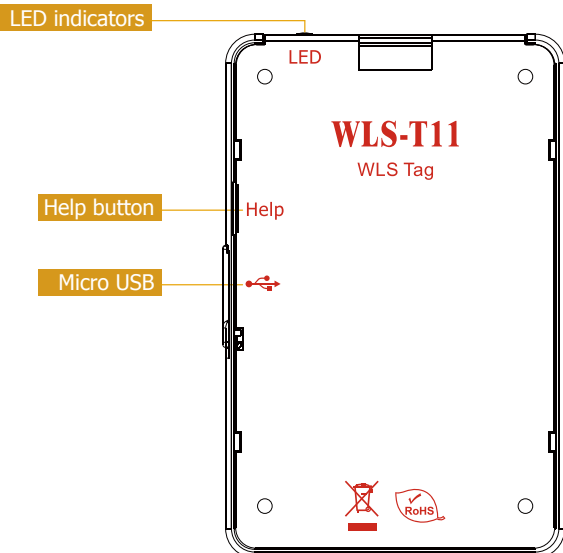
The wireless transmission range (line of sight, LOS) of WLS-T11 is 50 meters, and WLS-T11 uses low power consumption design architecture, when the user get the battery (4.2 VDC) fully charge and the wireless transmission interval is 3 seconds, operating temperature in -20°C to +60°C, the use of time can be up to 30 days. If battery will low power, the user can plug in usb to be charged. WLS-T11 very suitable for use in item tracking, personnel movements in hazardous areas, factory regional management and other applications.



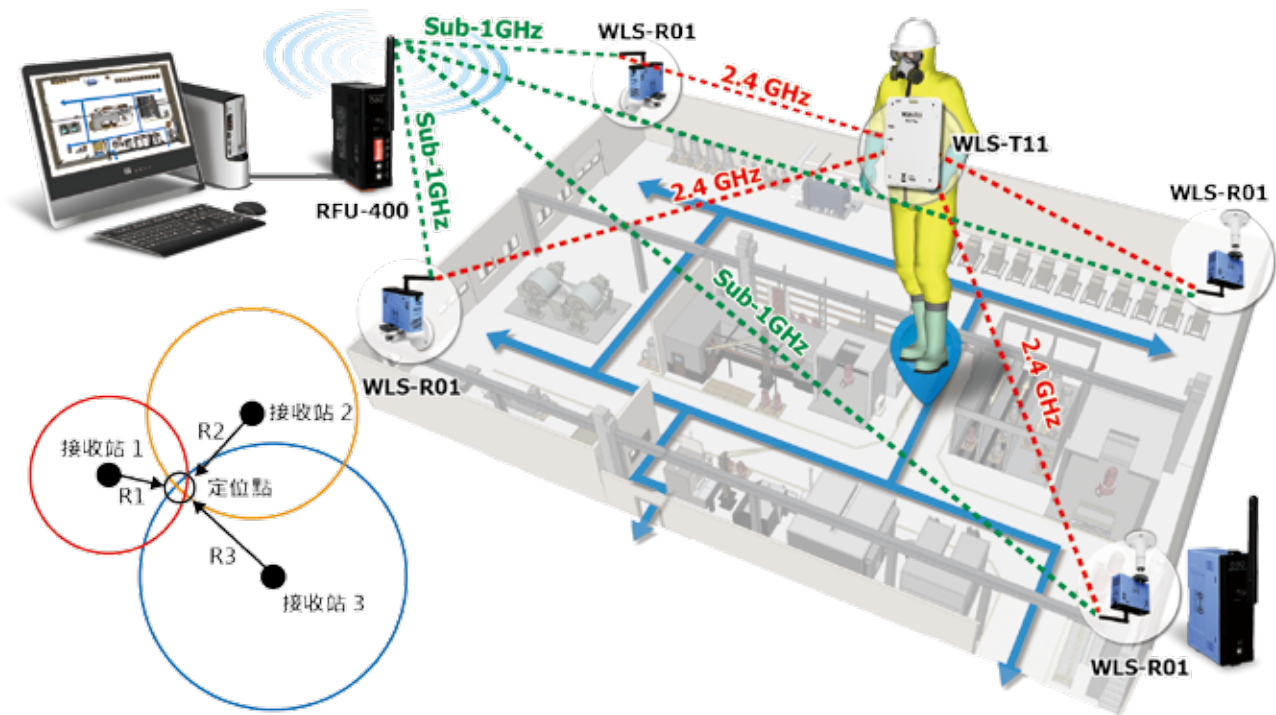
Specifications

Wireless	
Modulation	OQPSK (Offset Quadrature Phase-shift Keying)
Spread Spectrum	DSSS (Direct-Sequence Spread Spectrum)
RF Channels	16
Transmission Power	16±1dBm (Default) / 17dBm (Max.)
Wireless frequency	2.4GHz
Antenna	2.4GHz-3dBi PCB Directional Antenna
Transmission Range (Line of Sight, LOS)	50 m (Typical)
LED Indicators	
Press / Help / Low battery power	1 LED, Red
EMS Protection	
ESD	±4 kV Contact for Screw
EFT (IEC 61000-4-4)	±1 kV for Power
Power	
Required Supply	Rechargeable Li-ion battery
Charge Interface	Micro USB
Battery Usage Life	30 days (3 second Tx Interval)
Mechanical	
Dimensions(L x W x H, mm)	90mm x 58.5mm x 8.5mm
Installation	Hook
Environment	
Operating Temperature	-10 ~ +60°C
Storage Temperature	-10 ~ +35°C
Relative Humidity	10 ~ 75% RH

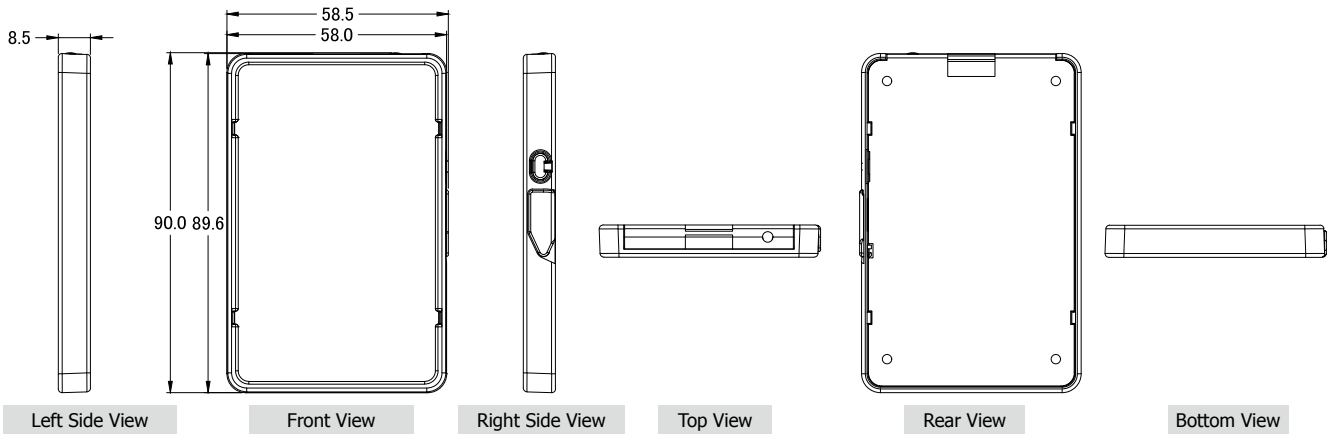
Appearance



Applications



Dimensions (Units: mm)



Ordering Information

WLS-T11 CR Wireless Location System Transmitter (RoHs)

Important Note: The transmitter of wireless location system be used together with the receiver and the converter, please refer to WLS-R01 and RFU-400.

Accessories

WLS-R01 CR	Wireless Locating System Receiver (RoHs)
RFU-400 CR	RS-232 / RS-485 to 429 MHz Radio Modem (RoHS)

