



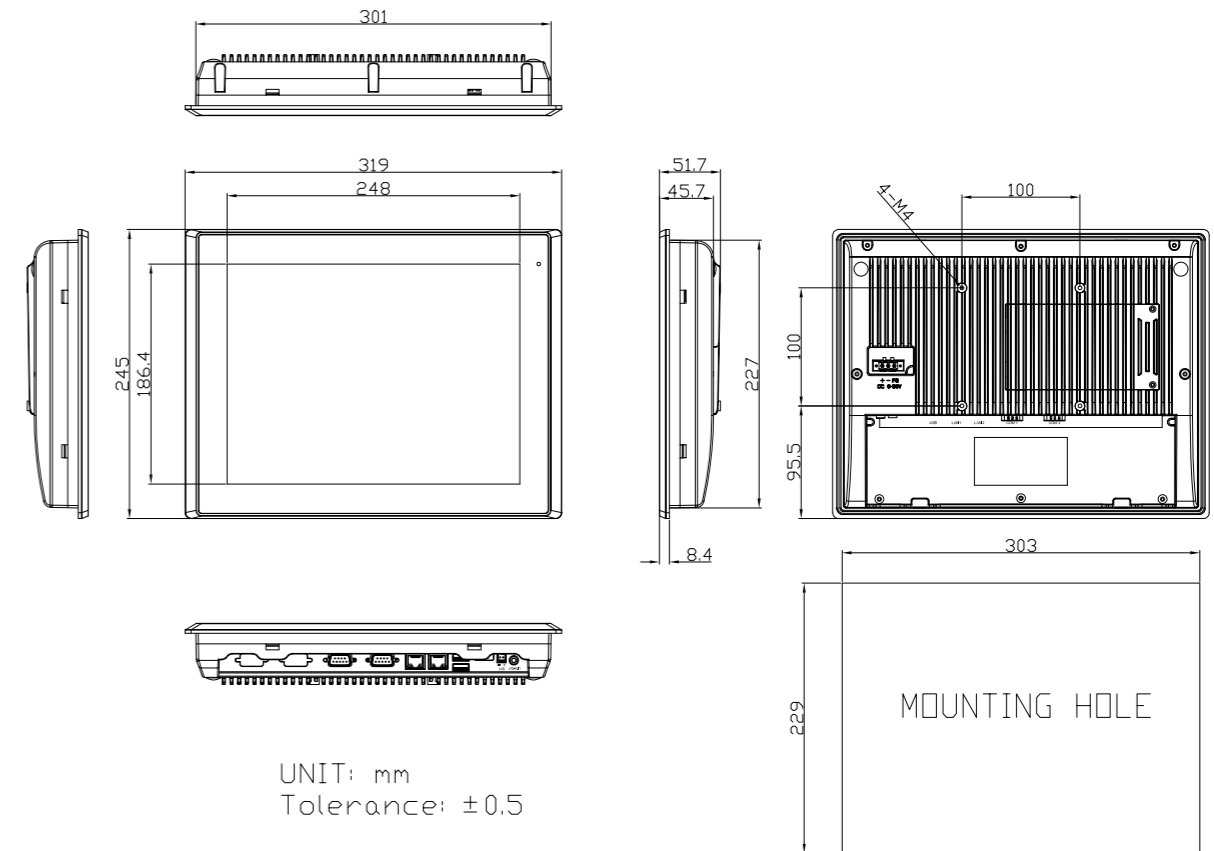
## Features

- 12.1" Industrial Compact Size Panel PC
- Intel Celeron N2930(1.83GHz) CPU built-in / Atom E3845(1.91GHz) for option
- Onboard 4GB DDR3L 1333MHz/8GB(option)
- Flat Front Panel Touch Screen and Fanless Design
- DC 9~36V Wide-Ranging Power Input
- IP66 Compliant Front Panel
- Optional Projected Capacitive Touch Screen Support 7H Anti-Scratch Surface
- High Brightness 1,000 nits for Option

## Specifications

System	
CPU	Onboard Intel Celeron N2930(1.83GHz) Onboard Intel Atom E3845(1.91GHz) for option
System Chipset	SoC
Memory	Onboard 4GB/8GB(option) DDR3L 1333MHz
I/O Port	
USB	2 x USB 3.0 type A
Serial / Parallel	1 x DB-9 RS-232/422/485, COM1 (Default RS-232) 1 x RS-232 DB-9, COM2
Audio	1 x Audio Line Out
LAN	2 x GbE LAN RJ-45
Power	1 x 3-pin DC power input terminal 1 x 2-pin connector for power on/off button
Option	VESA Stand 4G LTE/Wi-Fi/BT 4 x USB 2.0 (TB-528U4) 4 x USB 2.0 + 1 x Mini PCIe + 1 x SIM slot (TB-528U4ME1) 1 x COM + 2 x USB 2.0 (TB-528C1U2) 1 x COM (RS-232) + 2 x USB 2.0 + 1 x Power Button (TB-528C1U2P1) 2 x COM (TB-528C2) 2 x COM + 1 x Mini PCIe slot + 1 x SIM slot (TB-528C2ME1) 2 x COM (RS-232/485, isolated) (TB-528C2I) 2 x CAN (TB-528CAN2) 1 x LAN + 2 x USB 2.0 (TB-528E1U2) 1 x LAN + 2 x USB 2.0, 25W (TB-528E1U2POE)* 1 x LAN + 2 x USB 2.0, 25W (TB-528E1U2POE)* 1 x LAN/2 x USB 2.0, 45W POE(TB-528E1U2UPOE) UPS Battery 21W/10.8Wh/1.95Ah(3S1P) System is only allowed to build in either I/O board TB-528 series or UPS battery
Storage Space	
HDD	1 x 2.5" SATA HDD bay for SATA HDD (Easy Accessible)
Movable Device	1 x SD card slot, up to 32GB
Expansion	
Expansion Slot	1 x Internal Mini-PCIe slot full size
Display	
Display Type	Standard: 12.1" TFT-LCD High Brightness Optional: 12.1" TFT-LCD
Max. Resolution	800 x 600    1024 x 768    800 x 600    1024 x 768
Max. Color	262K    16.2M    16.2M    262K
Luminance (cd/m <sup>2</sup> )	450 (SVGA)    500 (XGA)    1000    1000
View Angle	178(H)/178(V)    178(H)/178(V)    178(H)/178(V)    160(H)/140(V)
Contrast	1500:1    1000:1    700:1    700:1
Backlight Lifetime	50,000 hrs    30,000 hrs    50,000 hrs    50,000 hrs
Touch Screen	
Type	Resistive Touch (for R model) Projected Capacitive Touch (for P model) Glass (for G model)
Interface	USB
Light Transmission(%)	Resistive Touch: over 80% Projected Capacitive Touch: over 90%

## Dimensions



Power	
Power Input	DC 9~36V
Power Consumption	ARCHMI-812P: 32W (MAX)
Mechanical	
Color	RAL 9007
Construction	Aluminum die-casting chassis
Mounting	Panel Mount, VESA 100 x 100
Dimensions (WxHxD)	319 x 245 x 51.7 mm
IP Rating	IP66 Compliant Front Bezel
Net Weight	2.8 kg
Environmental	
Operating Temperature	0~50°C / -20~60°C (option)
Storage Temperature	-30~70°C
Humidity	10 to 95% @ 40°C, non-condensing
Certificate	CE/FCC Class A
Operating System Support	
Windows	10 IoT
Ordering Information	
ARCHMI-812	12.1" SVGA Fanless HMI barebone with Intel N2930 1.83G CPU, 2GB DDR3L RAM, Resistive touch screen, DC 9~36V input with adapter, Aluminum chassis
ARCHMI-812P	12.1" SVGA Fanless HMI barebone with Intel N2930 1.83G CPU, 2GB DDR3L RAM, Projected Capacitive touch screen, DC 9~36V input with adapter, Aluminum chassis
ARCHMI-812H	12.1" SVGA fanless HMI barebone with Celeron N2930(1.83.GHz ) CPU, 4GB DDR3L RAM, Resistive touch screen, DC 9~36V input with adapter, Aluminum chassis, 1,000 nits LCD
ARCHMI-812PH	12.1" SVGA fanless HMI barebone with Celeron N2930(1.83.GHz ) CPU, 4GB DDR3L RAM, Projected Capacitive touch, DC 9~36V input with adapter, Aluminum chassis, 1,000 nits LCD

\*PoE limitation: CPU turbo off, rear I/O no loading, 70% LED backlight, PSE cable length < 50m