

HDMI & USB 2.0 Extension on one CAT6 (Wall plate Sender + Receiver Kit)



EX-HDU-WP
Wall-plate Sender



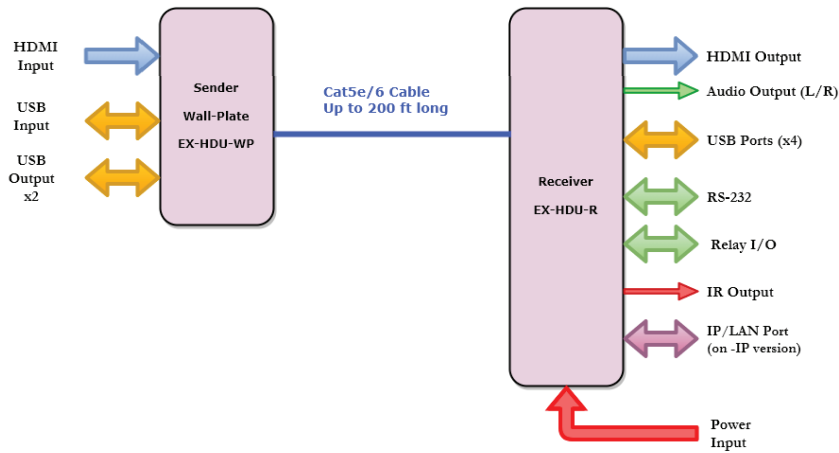
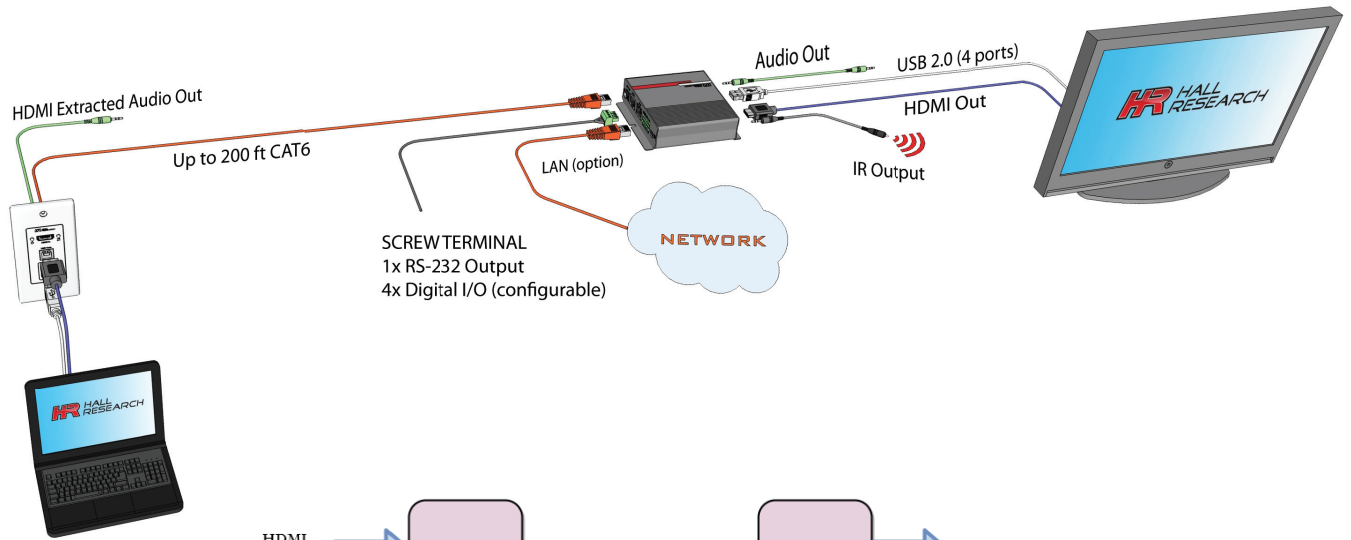
EX-HDU-R
Remote Receiver

- Extends HDMI + USB 2.0 to 200 ft (60 m) on one Cat 6 cable
- Wall plate sender has 2-port hub for connection to USB devices to the host PC
- Receiver provides HDMI, 4 USB ports, RS-232 for display control, contact I/O, and Audio outputs
- Perfect for Interactive displays, Soft CODECs, and KVM extension
- Wall plate does not require separate power supply
- Receiver is available with optional IP and WebGUI control
- Supports HDTV resolutions to 1080p 60 Hz

The EX-HDU is an economical HDMI and USB extender comprised of a single-gang Wall Plate Sender and compatible Receiver. The product uses only a single Cat5/6 cable to 200ft long. HDMI audio is extracted and is provided both at the Wall plate and the at the Receiver. The Receiver can be used to control other equipment by providing programmable contact closure I/O, RS-232 and IR outputs. Receivers with LAN connectivity are also available providing integrated user configurable WebGUI and IP control. The patent pending Wall plate is powered from the Receiver and provides two USB ports for connection of additional USB devices to the host PC.

EX-HDU	HDMI and USB Extension on CAT6 with Audio and Integrated Control Kit
EX-HDU-WP	HDMI and USB Extension on CAT6 Wall Plate Sender
EX-HDU-R	HDMI and USB Extension on CAT6 Receiver
EX-HDU-IP	HDMI and USB Extension on CAT6 with Audio, Integrated Control and IP (Kit)
EX-HDU-R-IP	HDMI and USB Extension on CAT6 with IP Receiver

Block Diagram



Specifications

Transmitter

Input Ports 1 x HDMI 1x USB 2.0 (Type B)
 Output Ports 1x RJ45, 2x USB 2.0 (Type A)

Receiver

Input Ports 1x RJ45, 4x I/O (Relay)
 Output Ports 1x HDMI, 1x 3.5mm audio, 1x IR
 RS232 Port 1 x DB9 Male
 Baud Rate 2400 – 115200 bps
 Audio HDMI Stereo 2-channel

General

Video Standards HDMI
 Video Signal type TMDS
 Video Resolutions 480p / 576p / 720p / 1080p @60hz
 Operating Temperature +32 to +122 °F (0 to +50 °C) / 10% to 90%
 Storage Temperature -40 to +158 °F (-40 to +70 °C) / 10% to 90%
 Product Dimensions 1.18" H x 4.13" W x 4.57" D Receiver
 2.60" H x 1.30" W x 1.80" D Wall Plate