



iSN-711-MRTU

Single axis vibration sensor module (RS-485)

Features

- 1-axis vibration measurement
- Frequency range: 10 Hz to 1K Hz
- Amplitude range: $\pm 8g$
- Data Format: RMS, Maximum, P-P, Crest Factor, FFT, Velocity
- Acceleration(mg): RMS, Maximum, P-P
- Velocity(mm/s): RMS
- Top 10 spectrum values(Amplitude/Frequency)
- Crest Factor
- Supported Modbus RTU Slave protocol

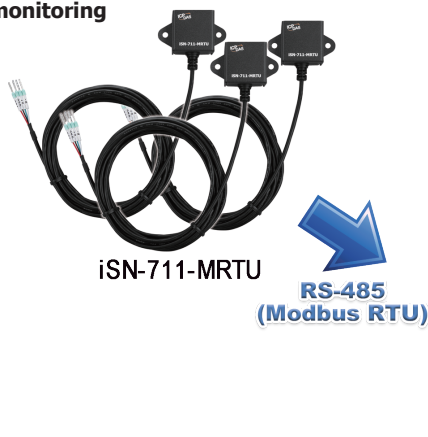


Introduction

The iSN-711-MRTU module is an intelligent vibration detection device. It has a built-in MEMS accelerometer, so it can easily realize equipment vibration monitoring. The module supports one RS-485 communication interface with Modbus RTU slave protocol, the user can transmit Modbus RTU commands to read the sensor's data by RS-485 interface. The iSN-711-MRTU is suitable for real-time vibration detection in critical locations for factory monitoring applications, such as production line equipment, motors, and pumps, etc., where there is a need to monitor any vibration application.

Applications

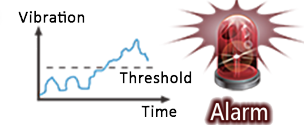
Vibration monitoring



InduSoft SCADA Database



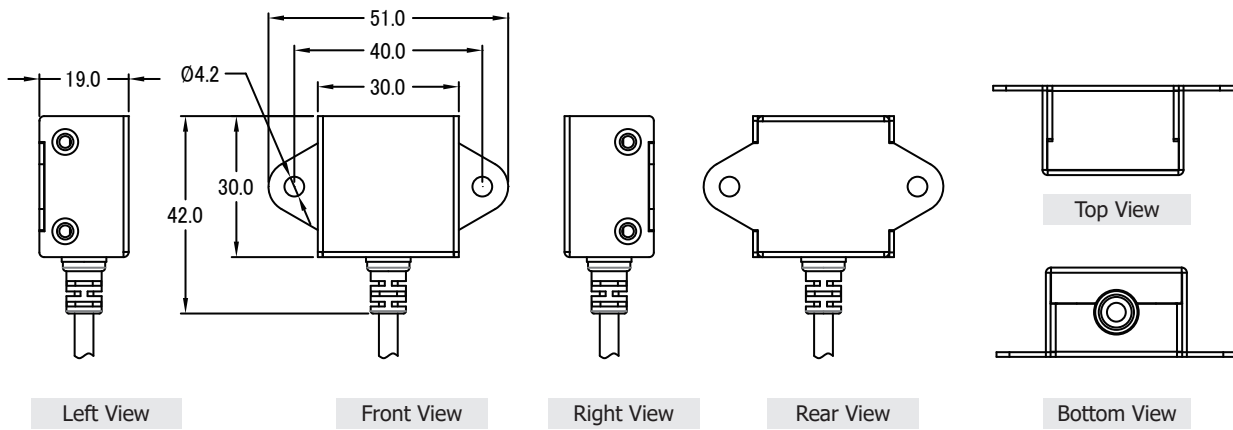
Fault diagnosis
Preventive maintenance



System Specifications

Vibration Measurement	
Sensor Type	1-axis MEMS
Amplitude Range	$\pm 8g$
Frequency Range	10 Hz to 1K Hz
COM Ports	
Ports	1 x RS-485(D+, D-)
Baud Rate	2400, 4800, 9600, 19200, 38400, 57600, 115200 bps
Data Format	N, 8, 1
Protocol	Modbus RTU
Power	
Input Range	+10 ~ +30 VDC
Consumption	0.3 W
Mechanical	
Dimensions (mm)	51 x 30 x 19 (W x L x H)
Installation	Wall-mount or magnet adsorption
Environment	
Operating Temperature	25 °C ~ +75 °C
Storage Temperature	-30 ~ +80°C
Humidity	10 ~ 90% RH, Non-condensing

■ Dimensions (Units: mm)

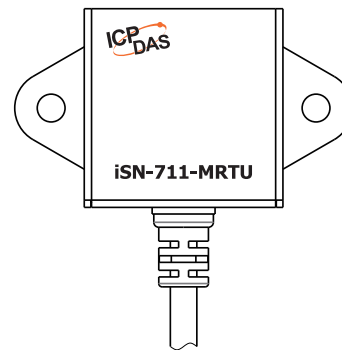


■ Pin Assignments

Power and RS-485 Connector

CONN	COLOR	Pin Assignment
1	White	D-
2	Red	VCC
3	Black	GND
4	Green	D+

■ Appearance



■ Ordering Information

iSN-711-MRTU CR	Single axis vibration sensor module (RS-485)(RoHS)
------------------------	--