



## iSN-713-MRTU

Three-axis vibration sensor module (RS-485)

### Features

- Three-axis vibration measurement
- Frequency range: 10 Hz to 1K Hz
- Amplitude range:  $\pm 8g$
- Data Format:
  - Acceleration(mg): RMS, Maximum, P-P
  - Velocity(mm/s): RMS
  - Top 10 spectrum values(Amplitude/Frequency), Crest Factor
- Supported Modbus RTU Slave protocol

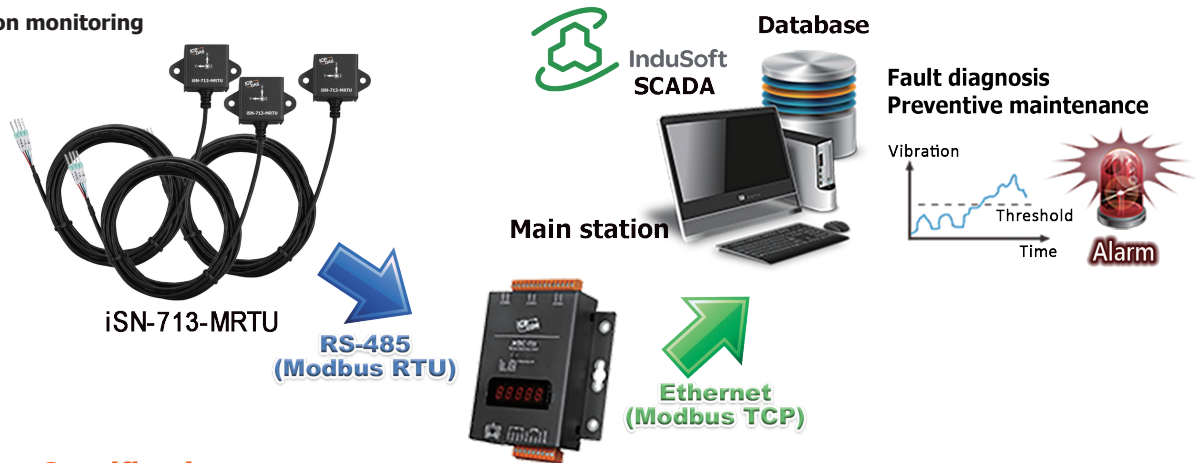


### Introduction

The iSN-713-MRTU module is a three-axis vibration detection device. It has a built-in MEMS accelerometer, so it can easily realize equipment vibration monitoring. The module supports one RS-485 communication interface with Modbus RTU slave protocol, the user can transmit Modbus RTU commands to read the sensor's data by RS-485 interface. The iSN-713-MRTU is suitable for real-time vibration detection in critical locations for factory monitoring applications, such as production line equipment, motors, and pumps, etc., where there is a need to monitor any vibration application.

### Applications

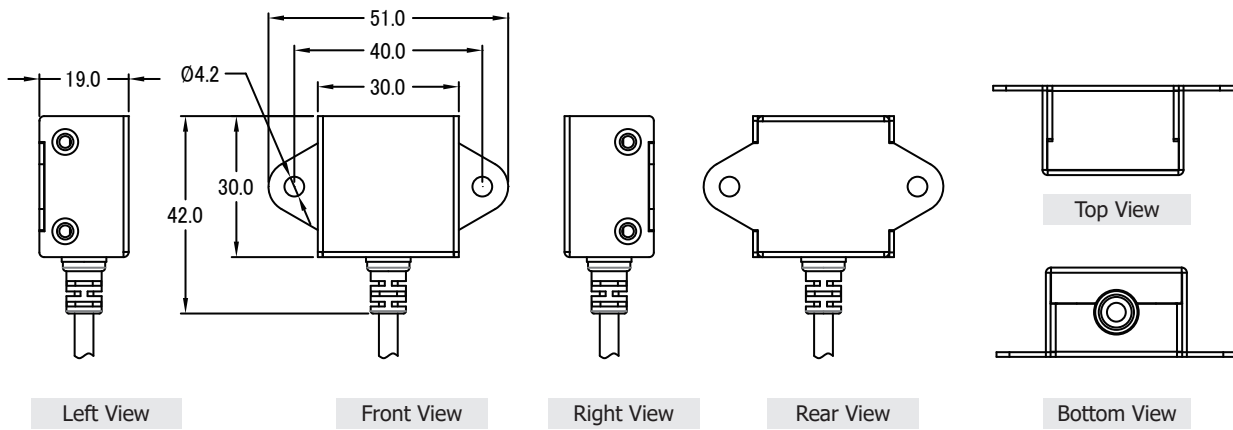
Vibration monitoring



### System Specifications

Vibration Measurement	
Sensor Type	3-axis MEMS
Amplitude Range	$\pm 8g$
Frequency Range	10 Hz to 1K Hz
COM Ports	
Ports	1 x RS-485(D+, D-)
Baud Rate	2400, 4800, 9600, 19200, 38400, 57600, 115200 bps
Protocol	Modbus RTU
Power	
Input Range	+10 ~ +30 VDC
Consumption	0.35 W@24VDC
Mechanical	
Dimensions (mm)	51 x 30 x 19 (W x L x H)
Installation	Wall-mount or magnet adsorption
Environment	
Operating Temperature	25 °C ~ +75 °C
Storage Temperature	-30 ~ +80°C
Humidity	10 ~ 95% RH, Non-condensing

## ■ Dimensions (Units: mm)

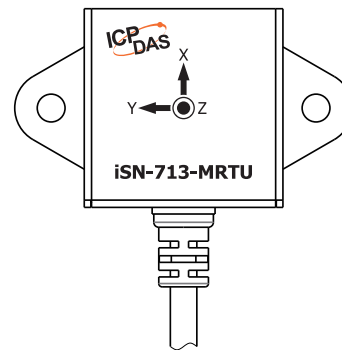


## ■ Pin Assignments

### Power and RS-485 Connector

CONN	COLOR	Pin Assignment
1	White	D-
2	Red	VCC
3	Black	GND
4	Green	D+

## ■ Appearance



## ■ Ordering Information

<b>iSN-713-MRTU CR</b>	Three-axis vibration sensor module (RS-485)(RoHS)
------------------------	---